



B562HD

MANUAL PASTING MACHINE WITH ROLLING STAND



*Model B562HD Shown with
Optional Booking Table and
Transportation Shelf
(see page 18)*

Cat. No. 50621

Operating and Parts Manual

Advance Equipment Mfg. Co. Inc.
4615 W Chicago Avenue, Chicago, IL 60651 U.S.A.
773.287.8220 • 800.621.4516



THE ADVANCE “PASTEMATE” ADVANTAGES

- Introduced in September 1981, thousands in service, known for reliability and performance.
- Setup and clean-up is faster than any other paste machine, which means more production.
- One filling of the tank will paste more wallcovering than any other machine.
- Exclusive paste control system pastes all materials, vinyl, string, suede, burlap and grasscloth without staining the face.
- Five rollers all geared together for better paste application.
- Lifetime warranty on the stainless steel paste tank and five years on the drive gears.
- In house manufacturing using computer controlled machinery for consistent quality and longer life.
- Replacement parts are shipped within 24 hours.
- Free consultation with experienced technicians prior to purchase will insure the right product for your needs.
- 100% satisfaction guaranteed!

Follow these instructions for operating the B562-HD PASTING MACHINE with ROLLING STAND.

PLEASE READ THEM COMPLETELY BEFORE STARTING

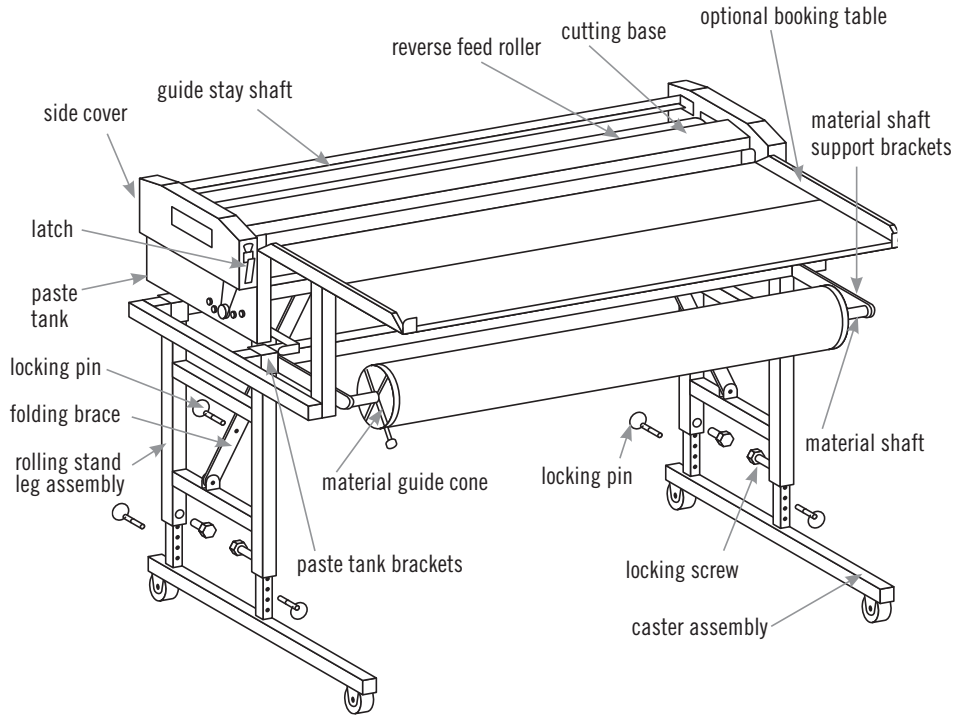
CONTENTS

General Assembly.....	2
General Instructions.....	3
Adhesives	4
Booking Table Option	5
Opening Side Covers	6
Pasting Operations	6 – 7
Paste Control Roller Installation and Adjustment	8
Measuring Counter Operation.....	9
Cleaning.....	10
Storage and Transport.....	11
Warranty	4
Specifications	2
Parts Lists and Drawings	12-17
Anodizing	4
Important Options	18



GENERAL ASSEMBLY

Fig. 1



SPECIFICATIONS

CATALOG No. 50621

MODEL B562-HD WITH ROLLING STAND

HEIGHT (rolling stand open) 37-3/4 in.
 HEIGHT (rolling stand folded) 12-1/2 in.
 LENGTH 67-3/4 in.
 WIDTH 12 in.

WEIGHT (machine) 121 lbs
 WEIGHT (accessories) 15 lbs.

OPTIONAL BOOKING TABLE

CATALOG No. 562BT 26 lbs.

OPTIONAL STORAGE CASE

CATALOG No. 51628 61 lbs.

OPTIONAL TRANSPORTATION SHELF

CATALOG No. 562TS 14 lbs.

GENERAL INSTRUCTIONS

- 1) Before lifting machine from shipping box, remove accessory tool box, the material support bar and the two caster assemblies packed next to the machine.
- 2) Lift out machine by grabbing the stand under the tank. (Two people will be easier)
- 3) Set machine next to the shipping box.
- 4) **Open rolling stand:**
 - a) Lift up one end of machine and open leg assembly (#1313), put legs on floor, lock folding brace (#1314) with steel pin (#1309). Lift other end and repeat procedure.
- 5) **Install caster assemblies:**
 - a) Lift machine at one end and slip caster assembly tubes into tubes of leg assembly. Make sure that casters extend forward towards front of machine (latch side of machine). Repeat with other end.
 - b) Raise machine to insert steel pins (#1311) in caster assembly at desired height. Lock in position by tightening black plastic head lock screws (#1308).
- 6) Remove stainless steel cover.
- 7) Unlock both quick releases (latches) on machine lid and open lid. Remove packaging material from rollers in tank.
- 8) Close lid of machine and with your hand on rubber covered reverse feed roller, rotate rollers and check that they rotate smoothly without any binding.
- 9) Always lay rollers down on a dropcloth when removed from the tank. Do not lean them against a wall or table, they may get damaged if dropped.
- 10) We recommend removing and cleaning the rollers each night to insure long life. Adhesive can be left in the tank overnight.

ADHESIVES

With a deep paste tray and a pickup roller, most types of paste may be used in the machine. However, successful machine operation depends to a great extent on the right paste consistency. Working with the machine will teach you how properly prepared paste should look. As a guide, it should have the consistency of heavy pancake batter. The paste will, in most cases, have to be thinned with water and should be thoroughly mixed, using an electric mixer. When using clay based adhesives, pull the maximum number of sheets from one filling of the tray to prevent the paste settling in the tray. Then add paste and pull the next batch. Clay adhesives will have to be agitated again when left at rest for some time.

Note: The machine rollers are made of aluminum alloy which is hard anodized after being machined. This process puts a hard coating on the surface and hardens the base aluminum to the same depth. This makes the aluminum more wear resistant than hardened steel. However, if the adhesive is excessively acid or alkaline, it may cause roller pitting and you should change your adhesive. To protect your rollers, remove and clean them every night and use an adhesive with pH range of 5.0 to 8.5.

ANODIZING

We protect the aluminum rollers in our pasting machines by hard anodizing them. The anodizing is done in accordance with ASTM (American Society of Testing Materials) military specifications and we use type III, which is the hardest coating. The aluminum used is type 6061, which accepts the anodizing process very well. Anodizing is an electrochemical process, which builds a coating of .001 to .0015 to the surface of the roller and penetrates the same amount below the surface. This hardcoat will be file hard and have a Rockwell hardness of 48-54 and the wear resistance is superior to hardened steel. Hard anodized coatings will not peel, since the coating is an integral part of the base metal. As the coating thickness increases, the time capillary pores microscopically form a honeycomb pattern, that seals itself, making the roller exceptionally corrosion and wear resistant. However, it should be noted that strong caustic solutions or acids may cause pitting or the hardcoat to disintegrate. Therefore, it is recommended that adhesives used in the machine should have a pH factor, which is close to neutral, in the range 5.0 to 8.5. It should be mentioned that the color of the roller is affected by the composition of the aluminum alloy and will range from dark gray/brown to dark black.

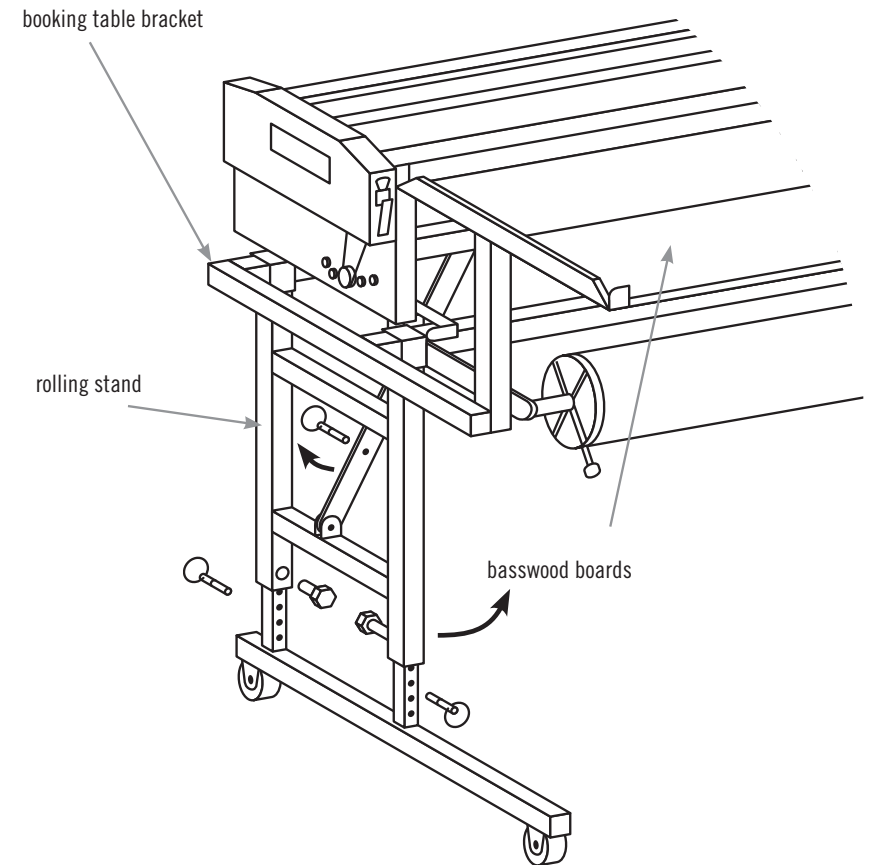
WARRANTY

Paste-Mate pasting machines are warranted for 12 months from date of purchase, by the original purchaser, against defective materials and workmanship, provided it has been installed and operated in accordance with factory instruction. Driving gears have a 5 year warranty against tooth breakage. The paste tank has a lifetime warranty. (Normal wear and tear or damage caused by misuse, abrasion, corrosion, accident, negligence, faulty installation or tampering excluded). Advance Equipment will repair or replace free of charge (ground shipment only) all defective parts if returned prepaid to their warehouse.

BOOKING TABLE OPTION

1. Remove square tube end caps from rolling stand and insert booking table support brackets on left and right side. Lock in place by turning locking bracket.
2. Board supports will be in front of machine over material support bar.
3. Lay both basswood boards in supports after you have installed wallcovering material on supports and have loaded it into the machine.
4. You are now ready for operation.
5. Maintain your basswood boards by lightly re-sanding and resealing once a year.

Fig. 2



OPENING THE SIDE COVER

You can find a quick release at the top of each side cover.

Pull each quick release in the direction of arrow and you can open the cover (Refer to fig. 3)

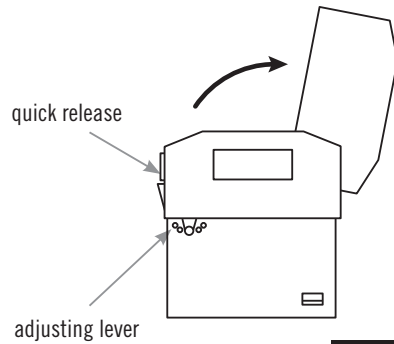


Fig. 3

PASTING OPERATIONS

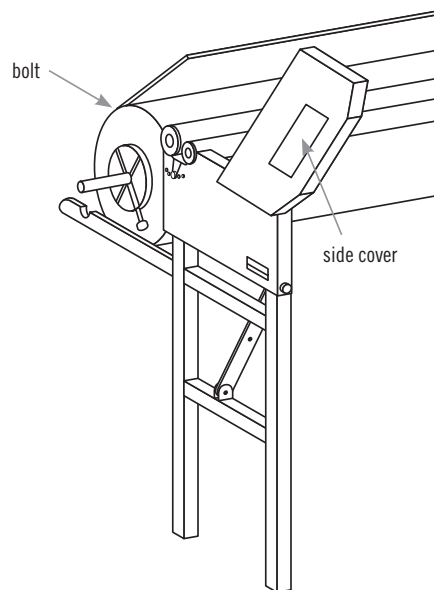
Swing out material support brackets from under paste tank.

Put the material shaft in the center of the bolt of material and set it on the bolt supports (shown Fig. 4) after sliding on material discs and locking setscrew.

Pour paste into the paste tank. (Refer to Fig. 6). Do not fill paste higher than lower line of adjustable roller. Close and latch side covers. Rotate the reverse feed rubber roller to distribute paste.

Adjust the thickness of paste by moving the adjusting lever in the direction of the arrow (shown in Fig. 3), move adjusting levers on both ends. Check paste thickness by running finger over paste roller. Set the adjusting levers at a suitable position at each end.

Fig. 4



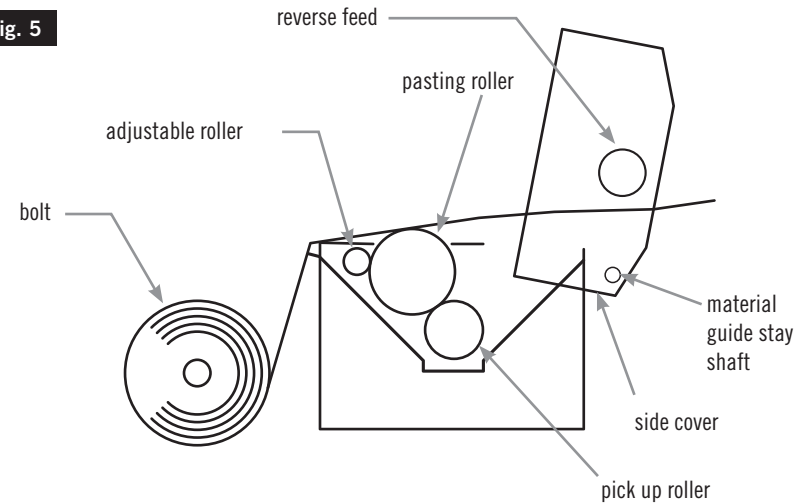
Pull out the material and lay it on the paste roller as (shown in Fig. 5) after opening the side covers. Close and latch the side covers. The material will be coming forward (paste side up) from behind the reverse feed roller.

Two trestles in front of the machine holding a board of about 26- 28 inches wide parallel to the machine, can be used to fold your material. Alternatively you can put two narrow tables at right angles to the machine and walk between them.

You can also fold directly against the machine without using a table or use our optional booking table. (Refer to page 5)

(CONTINUED ON NEXT PAGE)

Fig. 5



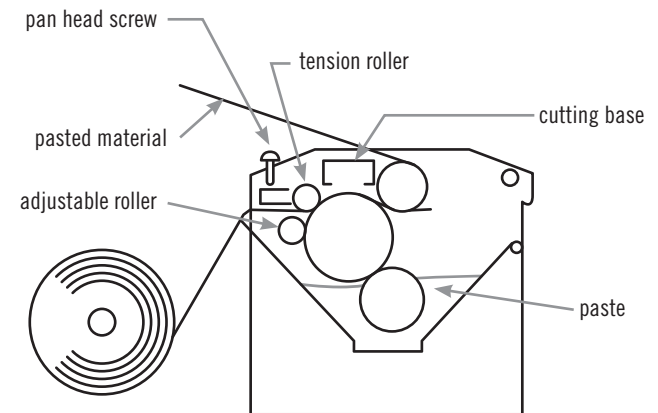
Usually, changing the adjustment between tension roller and pasting roller is not needed for proper material pasting. However, if material surface is extremely thin or uneven and pasting is not satisfactory, loosen pan head screw (1) as shown in (Fig. 6) by using a screwdriver. With the screw loosened, tension roller moves closer to the pasting roller which puts more pressure on the material. Only loosen screw closest to you.

You are now ready for operation.

Hold both sides of material with both hands, and draw out towards the direction of arrow (Fig. 6). Keep a constant pulling speed for even pasting.

Clearance between pick up roller and paste roller should be about 0.022- 0.025 inch. If necessary, adjust by raising or lowering pick up roller supports bushings in tank.

Fig. 6

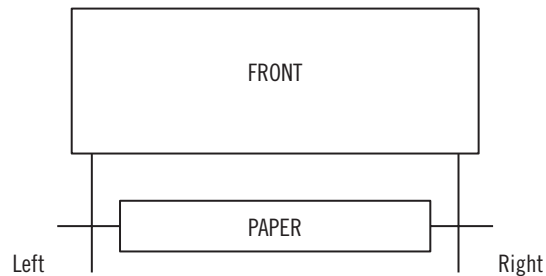


PASTE CONTROL ROLLER INSTALLATION AND ADJUSTMENT

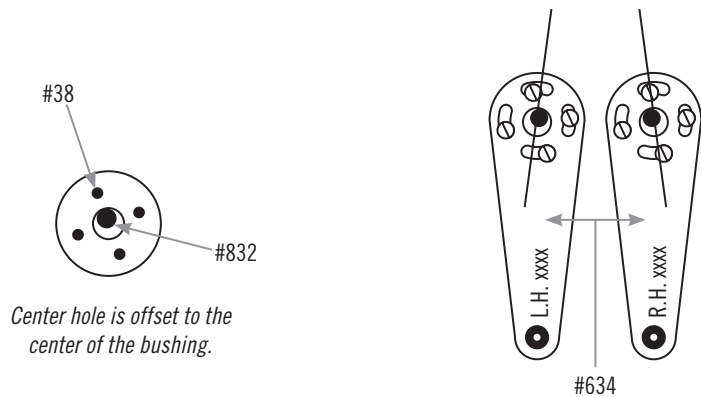
Insert the paste control roller ends in the paste tank holes and lock the bushings (#832) in place with the retaining ring (#441)

Set the roller clearance as follows:

1. Facing the side of the tank, hold the bushing with your fingers and turn so shaft is upwards towards the paste roller (#1659)
2. Now turn the bushing in the opposite direction and using a feeler gauge set clearance to between .002" and .004". Make this adjustment on each end of the adjusting roller.
3. Position the adjusting lever (#834) against bushing (#832) with pin hole, and check that the slotted holes in lever match screw holes in bushing. You might have to turn the bushing slightly. If so reset bushing on the other side to match.
4. Fasten slotted levers to the bushings on each end with 4 (#2) lock washers and 4 (#38) screws.
5. Re-check roller clearance from end to end with lever in pin hole #1 (closed) position.



Facing the machine, looking over the material bar views left and right sides.



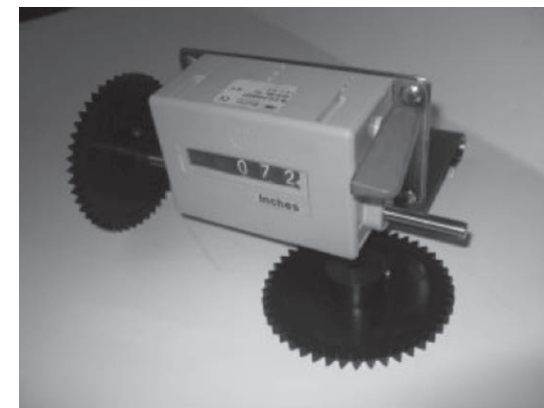
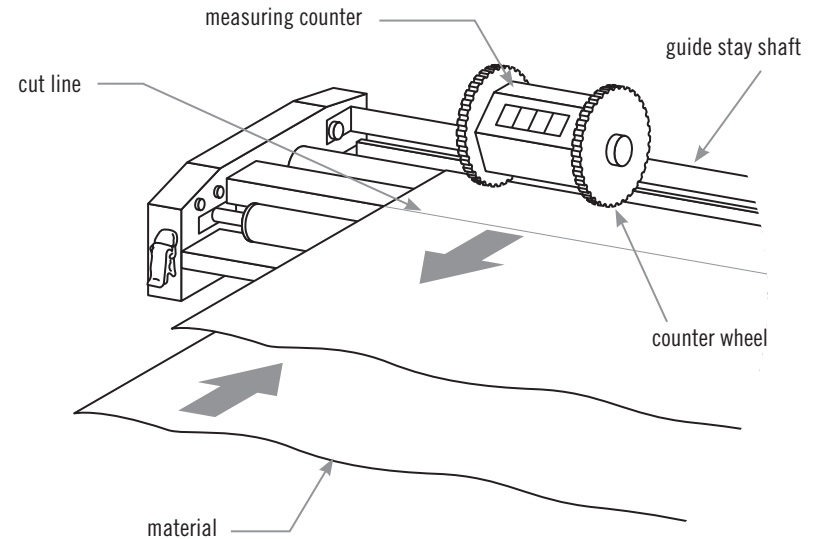
Center hole is offset to the center of the bushing.

Eccentric hole of bushing should be up and forward to paste roller in closed position.

MEASURING COUNTER OPERATION

Counter base is attached to the guide stay shaft and measuring counter is placed on the pasted material reversed by the reverse feed roller. Pull out the pasted material until the cut line (Fig. 7) and lift the red reset lever of the measuring counter, and it will show "0000." Then pull out the material to paste, as you are reading the numbers on the counter. You can read the length of the pasted material in "Inches."

Fig. 7



Measuring Counter No. 51114

CLEANING

After operation, pull out drainage cap from the bottom of the tank, and drain out the remaining paste.

The Pasting roller is taken out by lifting up both sides of the roller together.

The Pickup roller is lifted on the right-hand side first to release it from the leaf spring then pull it out of the hole in the left-hand bearing.

Wash both rollers in a bucket. Dry them and lay them down on a dropcloth to prevent damage.

Main body (tank) should be washed well, separate from the pasting roller. Other parts also must be cleaned.

Wipe machine clean and dry.

The life capability of your machine depends on thorough cleaning.

Fig. 8

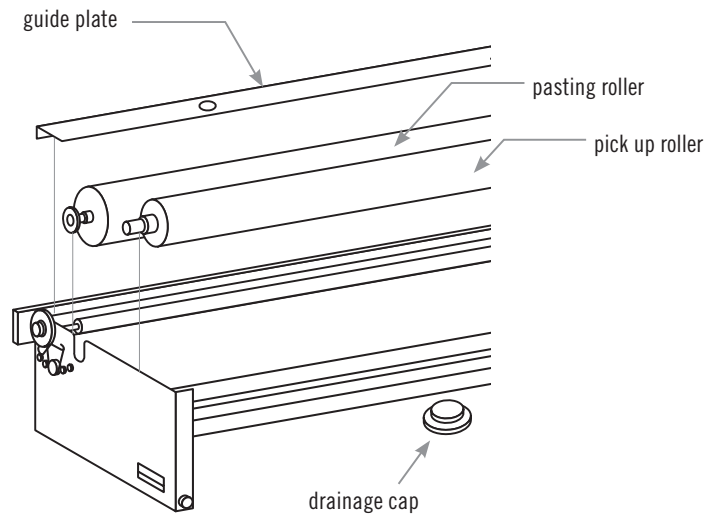
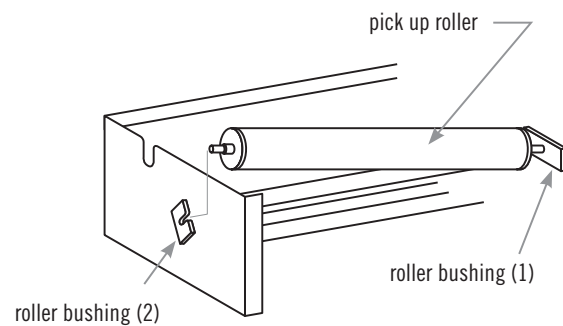


Fig. 9



STORAGE AND TRANSPORT

Remove material support bar from machine.

If booking table is used, remove boards and two brackets in sides of rolling stand.

Clean paste tank and rollers as previously instructed.

Close lid and lock both latches.

Legs can be folded with or without caster assembly in place.

If you want to remove them, loosen from locking screws first. If not, make sure that all four screws are tight.

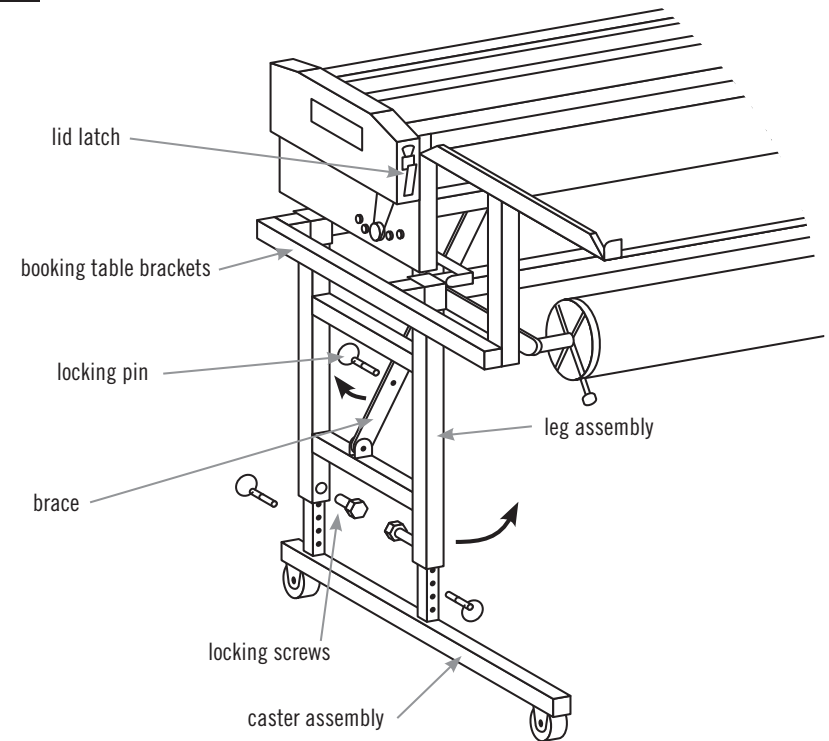
Pull out locking pin from leg brace on one end.

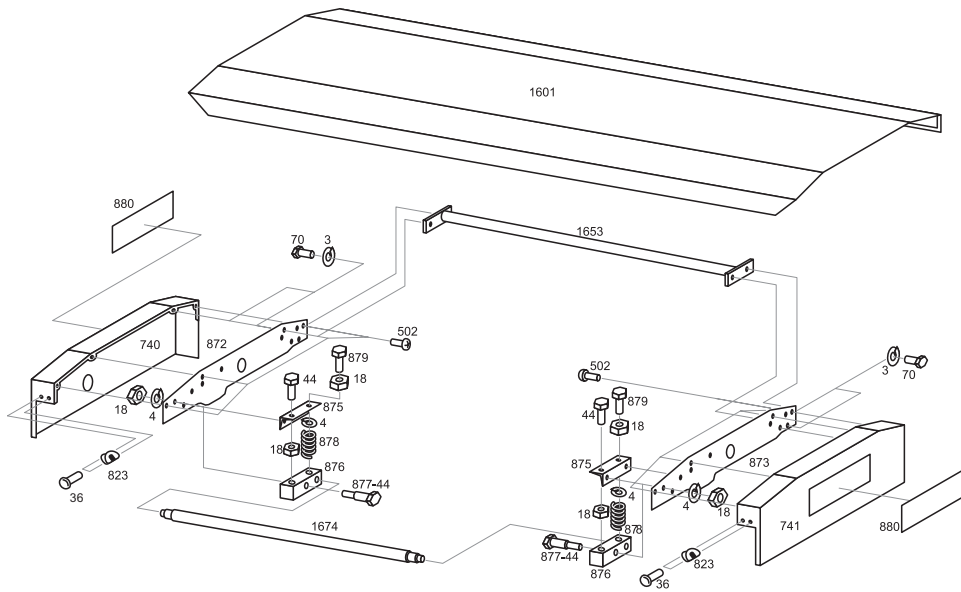
Lift machine at this end and fold against bottom of tank. Do the same on other end.

Put stainless steel cover on machine and wrap bungee cords around tank and cover to hold it in place.

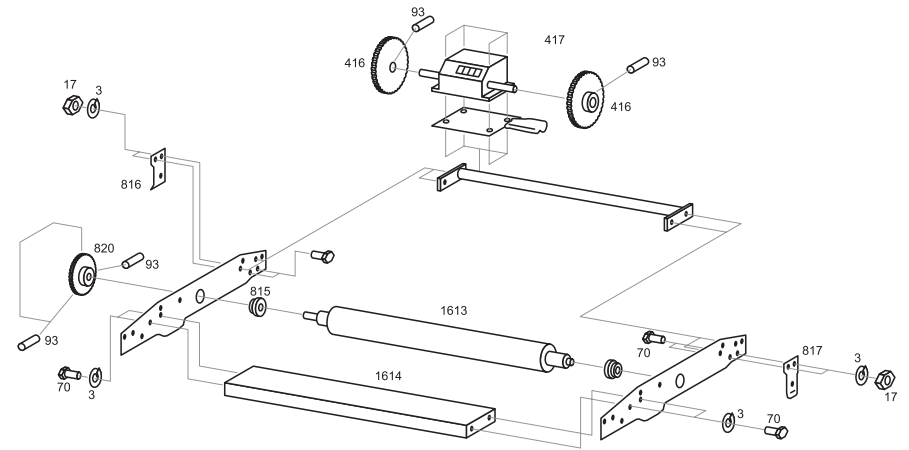
The machine may now be stored or transported.

Fig. 10



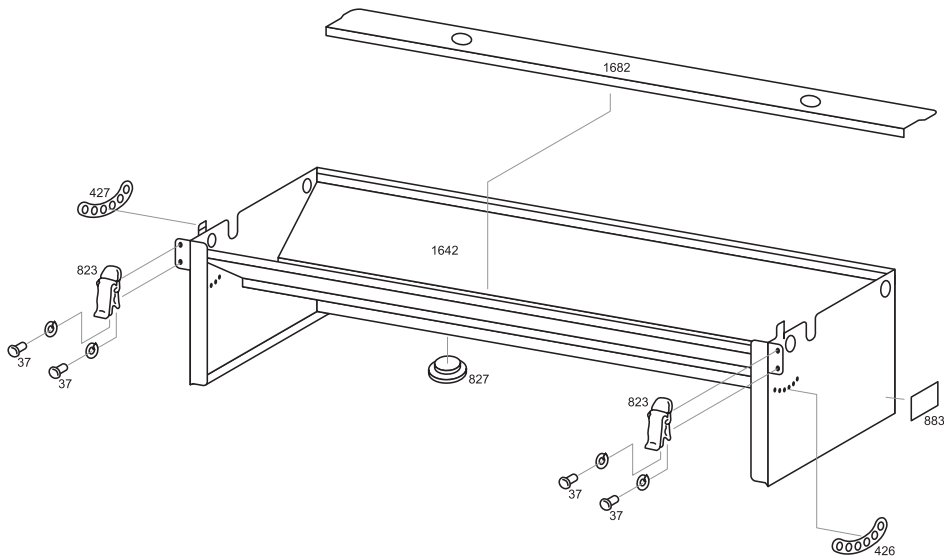


Part No.	Description	Qty.*
3	Spring Washer (M5)	14
4	Spring Washer (M6)	2
18	Hexagon Nut (M6)	6
36	Pan Head Screw	4
44	Bolt	2
70	Hex Bolt (M5x210)	12
502	Pan Head Screw (4x8)	12
740	L. Side Cover	1
741	R. Side Cover	1
823	Quick Release Set	2
872	Side Plate w/bracket	1
873	Side Plate w/bracket	1
875	Bracket = 872-873	2
876	Swing Bar	2
877	Pin 877-44	2
878	Spring	2
879	Bolt	2
880	Label	2
1601	Top Cover	1
1653	Guide Stay Shaft	1
1674	Tension Roller	1



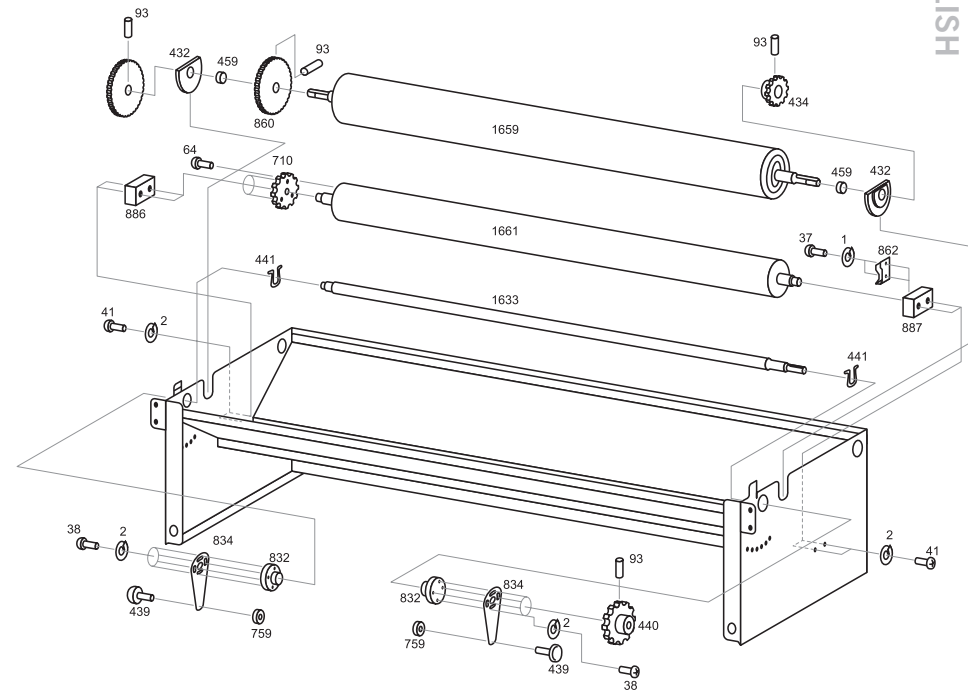
Part No.	Description	Qty.*
3	Spring Washer (M5)	14
17	Hexagon Nut (M5)	6
40	Pan Head Screw (M4x10)	4
70	Hex Head Bolt	12
93	Hex Socket Screw (M5x10)	9
416	Counter Wheel	2
417	Measuring Counter w/Bracket	1
774	Counter Base	1
815	Bushing	2
816	Stopper-L	1
817	Stopper-R	1
818	Washer	2
820	Spur Gear (28T)	1
1613	Reverse Feed Roller	1
1614	Cutting Base	1

B562-HD



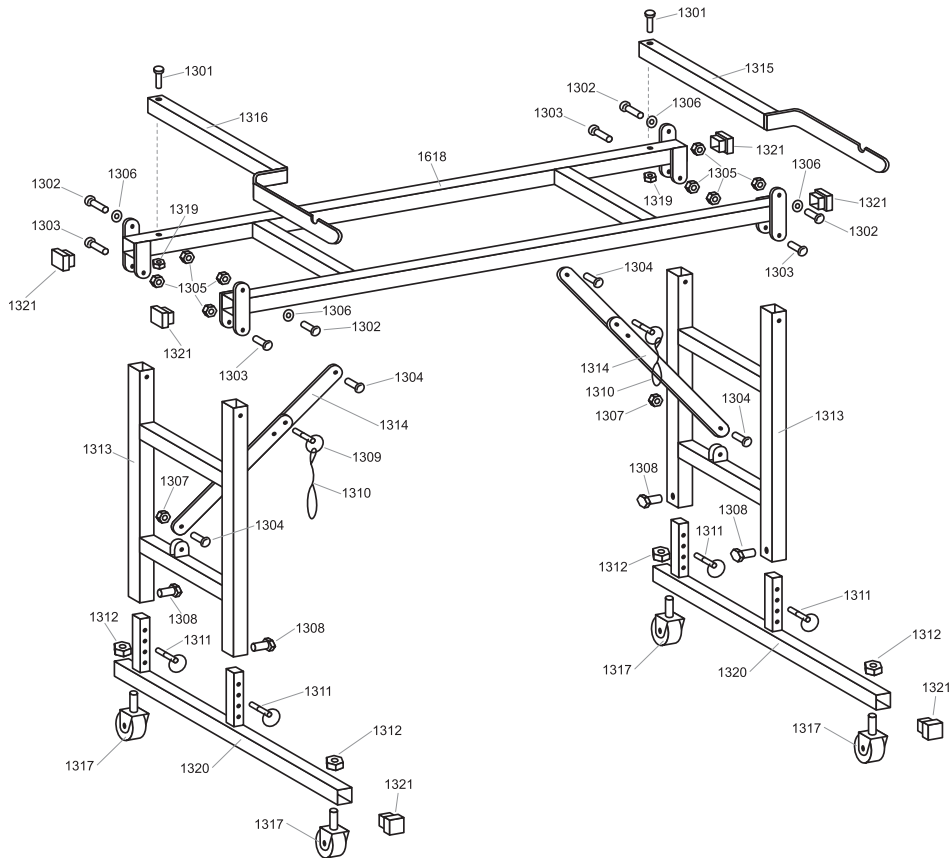
Part No.	Description	Qty.*
1	Spring Washer (M3)	4
37	Pan Head Screw	2
426	Label (Close-Open)	1
427	Label (Open-Close)	1
823	Quick Release Set	2
827	Drain Plug	1
883	Label	1
1642	Main Body	1
1682	Guide Plate	1

B562-HD



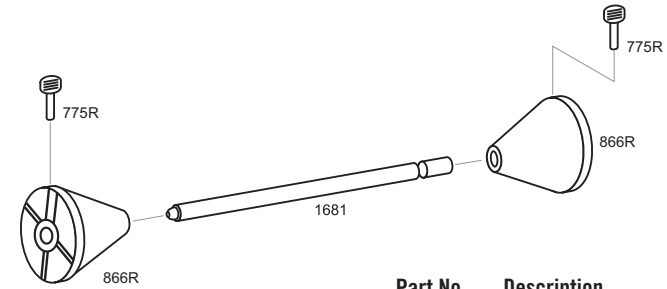
Part No.	Description	Qty.*	Part No.	Description	Qty.*
1	Spring Washer (M3)	2	886	Roller Bushing	1
2	Spring Washer (M4)	2	887	Roller Bushing	1
37	Pan Head Screw	2	1633	Adjustable Roller	1
38	Pan Head Screw (M4)	8	1659	Pasting Roller	1
41	Pan Head Screw (M4x15)	4	1661	Pickup Roller	1
64	Flat Head Screw (M4x15)	3			
93	Set Screw	4			
432	Bushing 432-459	2			
433	Spur Gear (44T)	1			
434	Spur Gear (21T)	1			
440	Spur Gear (34T)	1			
441	Snap Ring	4			
710	Spur Gear (33T)	1			
759	Nylon Lock Nut	2			
439	Set Screw -Brass	2			
832	Bushing	2			
834	Adjusting Lever	2			
860	Spur Gear (40T)	1			
862	Leaf Spring	1			

ROLLING STAND



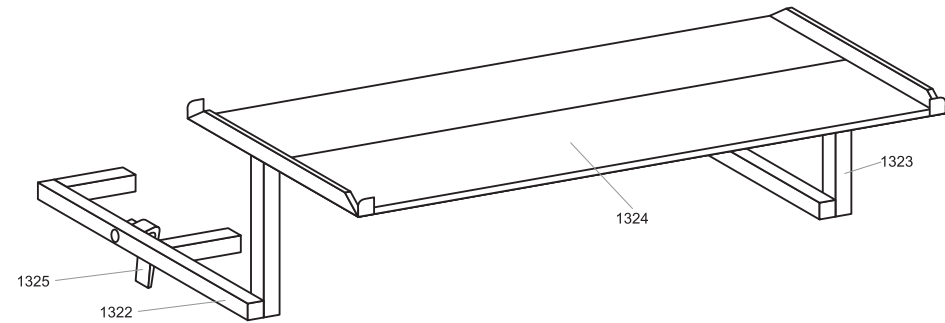
Part No.	Description	Qty.*	Part No.	Description	Qty.*
1301	1/4-20 X 2 1/4" Machine Screw	2	1311	1-1/2" Lock Pin	4
1302	1/4-20 X 3/4" Machine Screw	4	1312	1/2-13 Nut (Caster)	4
1303	1/4-20 X 1 1/2" Machine Screw	4	1313	Folding Leg Assembly	2
1304	1/4-20 x 3/4" Machine Screw	4	1314	Rolling Stand Brace	2
1305	1/4-20 Nut	6	1315	Material Shaft Support Bracket R.H.	1
1306	1/4" Flat Washer	4	1316	Material Shaft Support Bracket L.H.	1
1307	1/4-20 Nylok Nut	4	1317	4" Casterw/brake	4
1308	1/4-20 Lock Screw -3 Wing 4	4	1618	Rolling Stand Main Assembly	1
1309	1" Lock Pin	2	1319	1/4-20 Nylok Nut	4
1310	Nylon Lanyard	2	1320	Caster Assembly	2
			1321	Plastic End Caps	8

MATERIAL SHAFT B562-HD



Part No.	Description	Qty.*
1681	Material Shaft	1
866R	Cones	2
775R	Thumbscrew	2

OPTIONAL BOOKING TABLE B562-HD



Part No.	Description	Qty.*
1322	Bracket (L.H.)	1
1323	Bracket (R.H.)	1
1624	Basswood Board	2
1325	Locking Bracket	2
1303	1/4-20 Machine Screw 1 1/2"	2
1305	Nut 1/4-20 (by way)	2

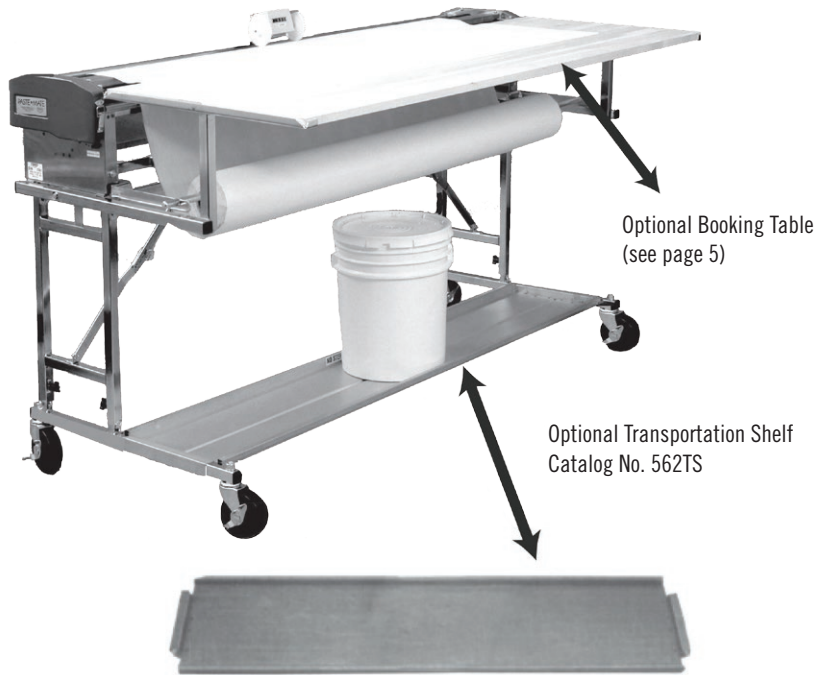
TOOLS

HEX KEY 2.5 MM.
FEELER GAUGE 002- .02

IMPORTANT OPTIONS FOR PASTEMATE B562HD PASTING MACHINE

OPTIONAL BOOKING TABLE FEATURES:

- Easy secure attachment to rolling stand
- Table moves together with pasting machine on jobsite
- CATALOG No. 562BT 26 lbs.



Optional Booking Table
(see page 5)

Optional Transportation Shelf
Catalog No. 562TS

OPTIONAL TRANSPORTATION SHELF FEATURES:

- Transport adhesives & tools to job site
- Stabilizes rolling stand
- Strong, yet lightweight
- Drops right into place
- Made of sturdy, galvanized steel
- Also available-for 56" machine
- CATALOG No. 562TS 14 lbs.

OPTIONAL STORAGE CASE

CATALOG No. 51628 61 lbs.



ADVANCE-EQUIPMENT.COM

ADVANCE

B562HD MÁQUINA PEGADORA MANUAL CON SOPORTE RODANTE



Se muestra el modelo B562HD con mesa de encuadernado opcional y anaquel de transporte

Cat. No. 50621 Manual de operación y piezas

Advance Equipment Mfg. Co. Inc.
4615 W Chicago Avenue, Chicago, IL 60651
773.287.8220 • 800.621.4516



LAS VENTAJAS DE “PASTEMATE” DE ADVANCE

- Introducida en septiembre de 1981, miles en servicio, conocida por su confiabilidad y rendimiento.
- La configuración y limpieza son más rápidas que en cualquier otra máquina, lo que significa mayor producción.
- Un llenado del tanque pegará más papel tapiz de pared que cualquier otra máquina.
- El exclusivo sistema de control de pasta pega todos los materiales, desde vinilo, cordón, gamuza, arpillera y fibra de ramio sin manchar la superficie.
- Hay cinco rodillos que funcionan juntos para mejor aplicación de la pasta.
- Garantía de por vida del tanque de acero inoxidable para pasta y cinco años para los engranajes de accionamiento.
- Fabricación interna con maquinaria controlada por computadora para consistencia de la calidad y mayor vida útil.
- Las piezas de reemplazo se envían dentro de 24 horas.
- La consulta gratuita con técnicos experimentados antes de la compra asegurará que adquiere el producto ideal para sus necesidades.
- ¡100% satisfacción garantizada!

Siga estas instrucciones para operar la MÁQUINA PEGADORA CON SOPORTE RODANTE B562-HD.

LÉALAS COMPLETAMENTE ANTES DE COMENZAR

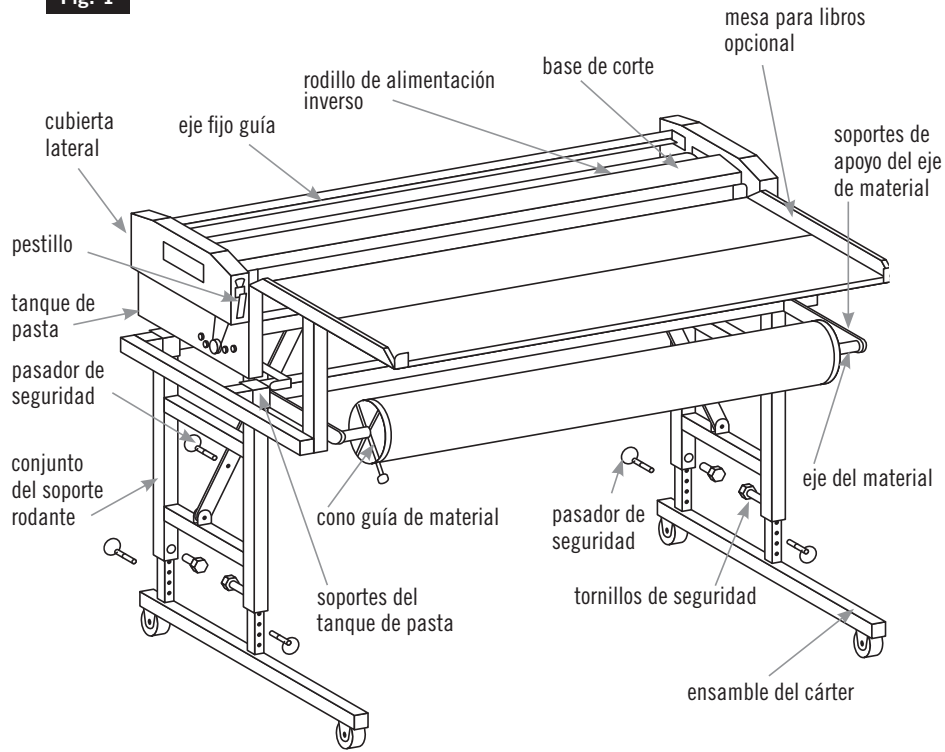
CONTENTS

Ensamblado general	2
Instrucciones generales	3
Adhesivos	4
Mesa para libros	5
Apertura de las cubiertas laterales	6
Operaciones de pegado	6 – 7
Ajuste del rodillo de control de pasta	8
Contador de medidas	9
Limpieza.....	10
Almacenamiento y transporte	11
Garantía	4
Especificaciones	2
Listas de piezas y diagramas	12-17
Anodización	4
Opciones importantes	18



ENSAMBLADO GENERAL

Fig. 1



ESPECIFICACIONES

CATÁLOGO No. 50621

MODELO B562-HD CON SOPORTE RODANTE

ALTURA (soporte rodante abierto) 37 3/4 pulg.
 ALTURA (soporte rodante plegado) 12 1/2 pulg.
 LONGITUD 67 3/4 pulg.
 ANCHO 12 pulg.

PESO (máquina) 121 lb
 PESO (accesorios) 15 lb

MESA PARA LIBROS OPCIONAL

CATÁLOGO No. 562BT 26 lb

REPISA DE TRANSPORTE OPCIONAL

CATÁLOGO No. 51628 61 lb

REPISA DE TRANSPORTE OPCIONAL

CATÁLOGO No. 562TS 14 lb

INSTRUCCIONES GENERALES

- 1) Antes de levantar la máquina de la caja de transporte, retire la caja de herramientas de accesorios, la barra de soporte de material y los dos conjuntos de las ruedas empacados junto a la máquina.
- 2) Levante y retire la máquina tomándola del soporte debajo del tanque. (Será más fácil con dos personas.)
- 3) Prepare la máquina junto a la caja de transporte.
- 4) **Abra el soporte rodante:**
 - a) Levante un extremo de la máquina y abra el conjunto de las patas (No 1313), coloque las patas en el piso y bloquee el refuerzo plegable (No 1314) con el pasador de acero (No 1309). Levante el otro extremo y repita el procedimiento.
- 5) **Instale los conjuntos de las ruedas:**
 - a) Levante la máquina de un extremo e inserte los tubos de los conjuntos de las ruedas en los conjuntos de las patas. Asegúrese de que las ruedas se extiendan hacia el frente de la máquina (lado del pestillo de la máquina). Repita en el otro extremo.
 - b) Levante la máquina para insertar los pasadores de acero (No 1311) en el conjunto de las ruedas a la altura deseada. Bloquee en posición apretando los tornillos negros de seguridad de cabeza de plástico (No 1308).
- 6) Retire la cubierta de acero inoxidable.
- 7) Desbloquee ambos mecanismos de liberación rápida (pestillos) en la tapa de la máquina y abra la tapa. Retire el material de embalaje de los rodillos en el tanque.
- 8) Cierre la tapa de la máquina y, con la mano sobre el rodillo de alimentación inverso cubierto con caucho, gire los rodillos y verifique que giren sin problemas y sin atascarse.
- 9) Coloque siempre los rodillos sobre una tela absorbente cuando los retire del tanque. No los apoye sobre una pared o mesa, ya que pueden dañarse si se caen.
- 10) Recomendamos retirar y limpiar los rodillos cada noche para prolongar su vida útil. El pegamento puede permanecer en el tanque durante la noche.

ADHESIVOS

Con una bandeja profunda para pasta y un rodillo de aplicación, la mayoría de las pastas pueden usarse en la máquina. Sin embargo, la operación correcta de la máquina depende en gran medida de la consistencia correcta de la pasta. Trabajar con la máquina le enseñará cómo debe lucir la pasta adecuadamente preparada. Como guía, esta deberá tener la consistencia de la masa espesa de panqueque. En la mayoría de los casos, la pasta tendrá que adelgazarse con agua y mezclarse profusamente con una mezcladora eléctrica. Cuando use adhesivos a base de arcilla, extraiga el número máximo de hojas de una carga de la bandeja para prevenir que la pasta se solidifique en la bandeja. Luego agregue pasta y extraiga la siguiente tanda. Los adhesivos de arcilla deberán volver a agitarse cuando se dejen reposar durante algún tiempo.

Nota: Los rodillos de la máquina están hechos de aleación de aluminio anodizado, endurecido después de maquinarse. Este proceso aplica una capa dura sobre la superficie y endurece el aluminio base hasta la misma profundidad. Esto hace que el aluminio sea más resistente al desgaste que el acero endurecido. Sin embargo, si el adhesivo es excesivamente ácido o alcalino, puede causar picaduras en el rodillo, y se deberá cambiar el adhesivo. Para proteger los rodillos, retírelos y límpielos al final de cada día, y use un adhesivo con un pH de 5,0 a 8,5.

ANODIZACIÓN

Protegemos los rodillos de aluminio de nuestras máquinas pegadoras mediante anodización de endurecimiento. La anodización se hace de acuerdo con las especificaciones militares de la ASTM (American Society of Testing Materials) y usamos el tipo III, que es el recubrimiento más duro. El aluminio que se usa es tipo 6061, que acepta bastante bien el proceso de anodización. La anodización es un proceso electroquímico que deposita una capa de 0,001 a 0,0015 sobre la superficie del rodillo y penetra la misma distancia debajo de la superficie. Esta capa dura es resistente al limado y tiene una dureza Rockwell de 48 a 54 y una resistencia al desgaste superior a la del acero endurecido. Las capas de anodización de endurecimiento no se desprenden, ya que son parte integral del metal base. A medida que el grosor de la capa aumenta, los poros capilares forman microscópicamente un patrón de panal de miel que se sella a sí mismo, haciendo al rodillo excepcionalmente resistente a la corrosión y al desgaste. Sin embargo, deberá observarse que las soluciones cáusticas o ácidas fuertes pueden causar picaduras o que la capa se desintegre. Por lo tanto, se recomienda que los adhesivos que se usen en la máquina tengan un pH cercano al neutro, en el rango de 5,0 a 8,5. Cabe mencionar que el color del rodillo se ve afectado por la composición de la aleación de aluminio y que variará de gris/marrón oscuro a negro oscuro.

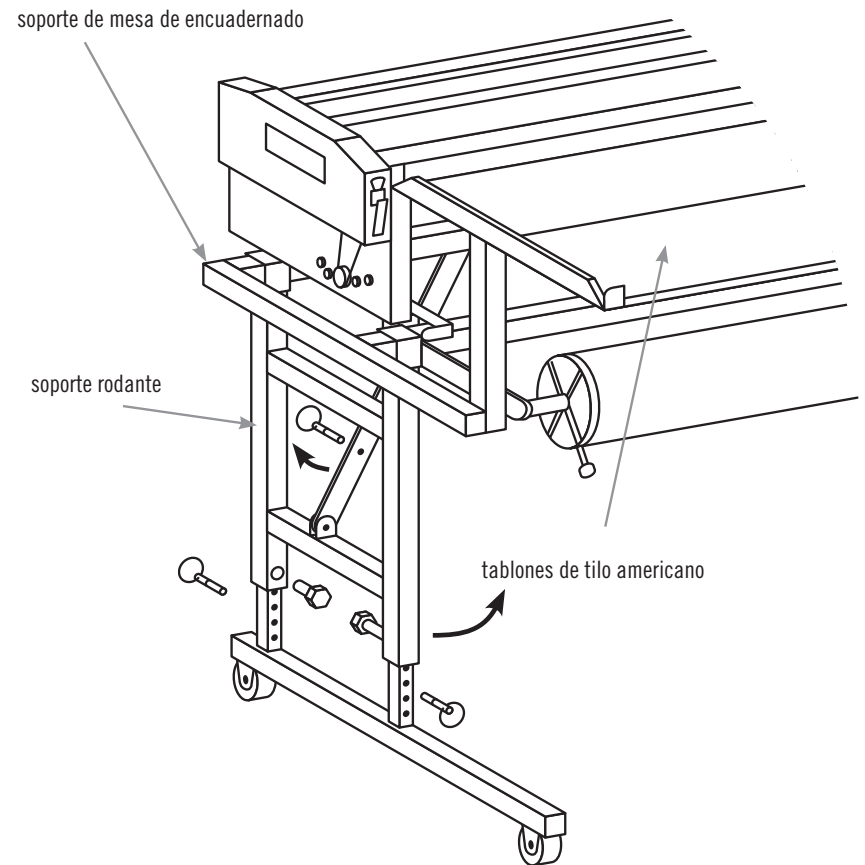
GARANTÍA

Las máquinas pegadoras Paste-Mate tienen garantía de 12 meses a partir de la fecha de compra, por el comprador original, contra defectos de materiales y de fabricación, con la condición de que se instalen y operen de acuerdo con las instrucciones del fabricante. Los engranajes de accionamiento tienen garantía de 5 años para ruptura de los dientes. El tanque de la pasta tiene garantía de por vida. (Se excluye el desgaste y ruptura normales o los daños causados por mal uso, abrasión, corrosión, accidente, negligencia, instalación defectuosa o alteración ilegal). Advance Equipment reparará o reemplazará sin cargo alguno (solo el transporte terrestre) todas las piezas defectuosas si se envían con porte prepagado a su almacén.

OPCIÓN DE MESA PARA LIBROS

1. Retire las tapas del extremo del tubo cuadrado del soporte rodante e inserte los soportes de apoyo de la mesa para libros en los lados izquierdo y derecho. Asegúrelos al girar el soporte de seguridad.
2. Los soportes de la tabla estarán en el frente de la máquina sobre la barra de soporte del material.
3. Coloque las tablas de lino americano en los soportes después de haber colocado material de papel tapiz de pared sobre los soportes y lo haya cargado en la máquina.
4. Ahora está listo para trabajar.
5. Para dar mantenimiento a las tablas de lino americano, líjelas ligeramente y séllelas una vez al año.

Fig. 2



APERTURA DE LA CUBIERTA LATERAL

En la parte superior de cada cubierta lateral se encuentra un mecanismo de liberación rápida o pestillo.

Jale cada pestillo en dirección de la flecha para abrir la cubierta (consulte la Fig. 3)

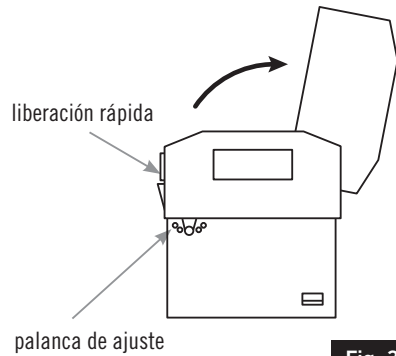


Fig. 3

PASTING OPERATIONS

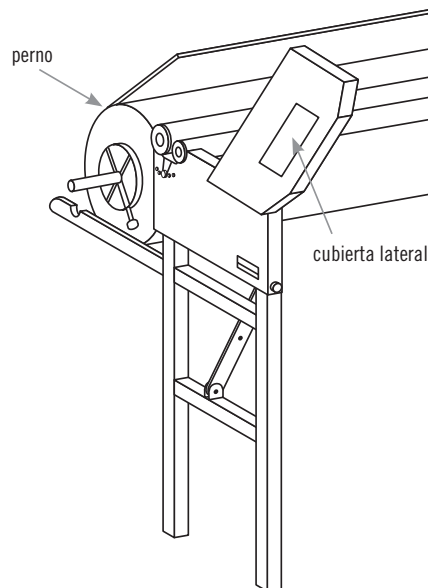
Gire hacia fuera los soportes de apoyo de material desde la parte inferior del tanque de pasta.

Coloque el eje del material en el centro del perno del material y fíjelo sobre los soportes del perno (mostrados en la Fig. 4) después de deslizarlo sobre los discos de material y el tornillo de ajuste de seguridad.

Vierta la pasta en el tanque de pasta. (Consulte la página 10). No llene con pasta más arriba de la línea inferior del rodillo ajustable. Cierre y asegure con el pestillo las cubiertas laterales. Gire el rodillo de caucho de alimentación inverso para distribuir la pasta.

Ajuste el espesor de la pasta al mover la palanca de ajuste en dirección de la flecha (mostrada en la Fig. 3); mueva las palancas de ajuste en ambos extremos. Revise el espesor de la pasta al pasar un dedo sobre el rodillo de pasta. Coloque las palancas de ajuste en una posición adecuada en cada extremo.

Fig. 4



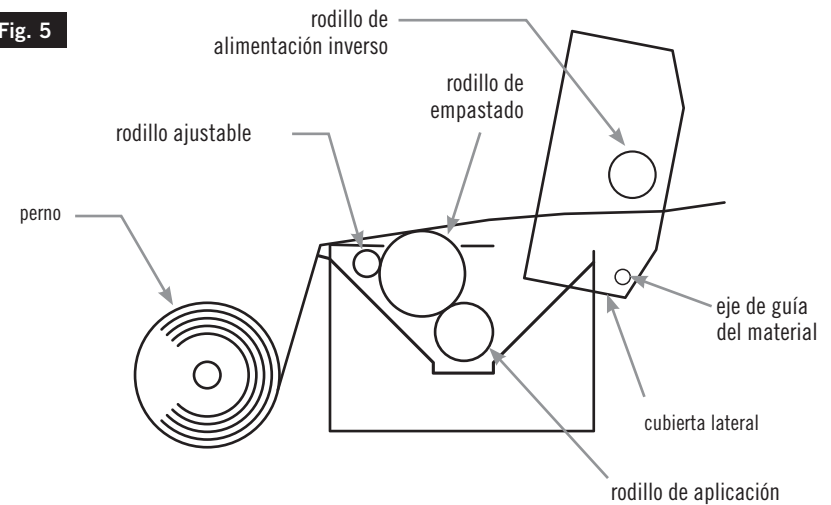
Extraiga el material y colóquelo sobre el rodillo de pasta (mostrado en la Fig. 5) después de abrir las cubiertas laterales. Cierre y aplique los pestillos de las cubiertas laterales. El material avanzará hacia adelante (con el lado de la pasta hacia arriba) desde la parte posterior del rodillo de alimentación inverso.

Se pueden usar dos caballetes frente a la máquina que sostengan una tabla de aproximadamente 26 a 28 pulgadas de ancho, paralela a la máquina, para plegar el material. De forma alternativa, puede colocar dos mesas estrechas en ángulo recto a la máquina y caminar entre ellas.

También puede plegar directamente contra la máquina sin usar una mesa, o usar una mesa para libros opcional. (Consulte la página 5)

CONTINÚA EN LA PÁGINA SIGUIENTE

Fig. 5



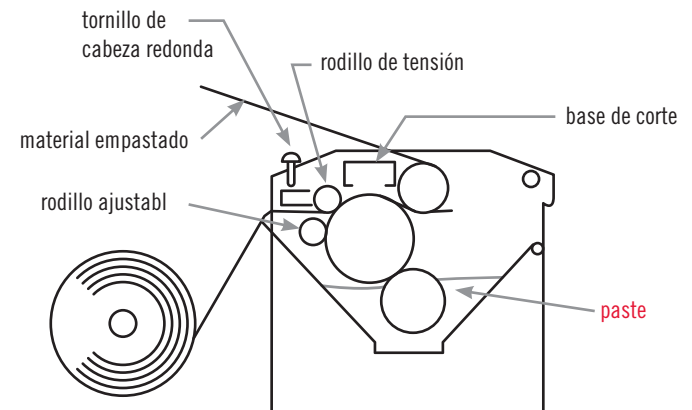
Generalmente, no es necesario cambiar el ajuste entre el rodillo de tensión y el rodillo de empastado para el empastado correcto del material. Sin embargo, si la superficie del material es demasiado delgada o dispareja y el empastado no es satisfactorio, afloje el tornillo de cabeza de botón (1), como se muestra en la (Fig. 6), usando un destornillador. Con el tornillo aflojado, el rodillo de tensión se acerca al rodillo de empastado, lo cual ejerce más presión sobre el material. Afloje solamente el tornillo que está más cerca de usted.

Ahora está listo para trabajar.

Sostenga los dos lados del material con ambas manos y aléjelo en dirección de la flecha (Fig. 6). Mantenga una velocidad de tracción constante para lograr un empastado uniforme.

La holgura entre el rodillo de aplicación y el rodillo de empastado deberá ser aproximadamente de 0,022 a 0,025 pulgadas. Si es necesario, ajuste al levantar o bajar los bujes de los soportes del rodillo de aplicación en el tanque.

Fig. 6

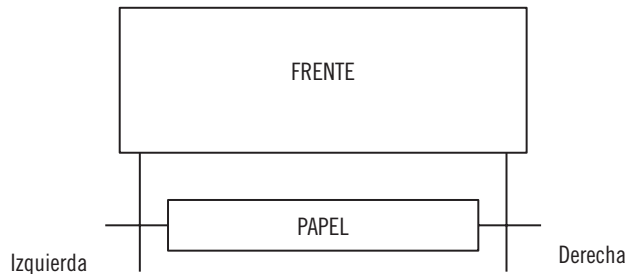


INSTALACIÓN Y AJUSTE DEL RODILLO DE CONTROL DE PASTA

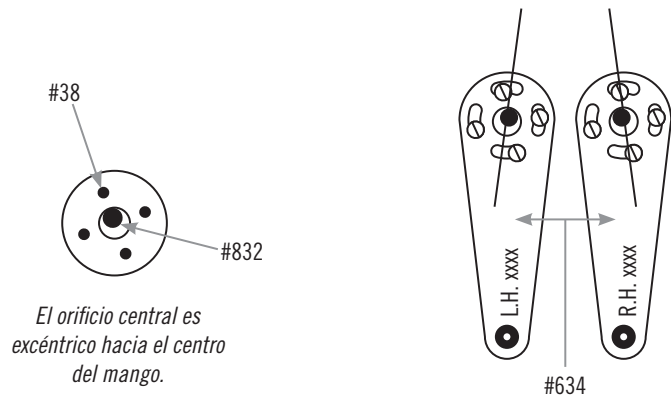
Inserte los extremos del rodillo de control de pasta en los orificios del tanque de pasta y asegure los bujes (No 832) en su lugar con el anillo de retención (No 441)

Ajuste la holgura del rodillo de la siguiente manera:

1. Viendo hacia el lado del tanque, sostenga el buje con los dedos y gírelo de modo que el eje quede hacia arriba en dirección del rodillo de pasta (No 859).
2. Ahora gire el buje en dirección opuesta y con una lámina calibradora ajuste la holgura entre 0,002 pulg. y 0,004 pulg. Haga este ajuste en cada extremo del rodillo de ajuste.
3. Coloque la palanca de ajuste (No 834) contra el buje (No 832) con el orificio del pasador, y verifique que los orificios ranurados de la palanca coincidan con los orificios para tornillos en el buje. Es probable que deba girar el buje ligeramente. Si es así, ajuste el buje del otro lado para que coincidan.
4. Apriete las palancas ranuradas en los bujes en cada extremo con 4 arandelas de seguridad (No 2) y 4 tornillos (No 38).
5. Vuelva a verificar la holgura del rodillo de extremo a extremo con la palanca en la posición No 1 (cerrada) del orificio del pasador.



De frente a la máquina, con vistas de los lados derecho e izquierdo, por encima de la barra de material.

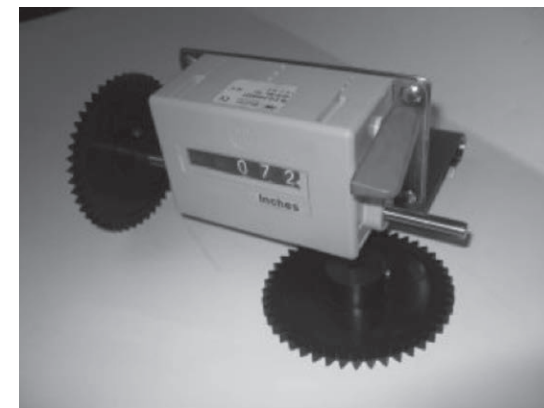
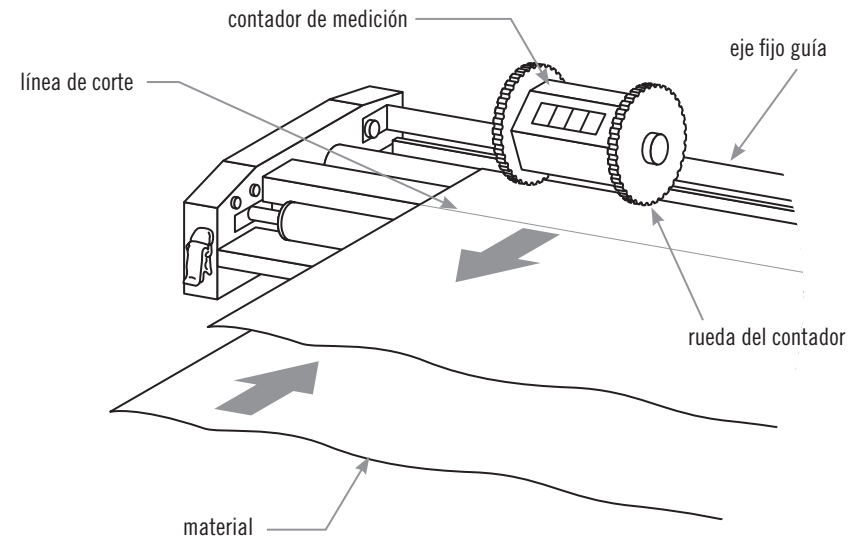


El orificio excéntrico del mango deberá estar arriba y adelante del rodillo de empaste en posición cerrada.

OPERACIÓN DEL CONTADOR DE MEDICIÓN

La base del contador está fija en el eje guía y el contador de medición está colocado en el material empastado invertido por el rodillo de alimentación inverso. Extraiga el material empastado hasta la línea de corte (Fig. 7) y levante la palanca roja de reinicio del contador de medición, y esta mostrará "0000". Entonces extraiga el material para pegar mientras lee los números en el contador. Puede leer la longitud del material pegado en "pulgadas".

Fig. 7



Contador de Medición No. 51114

LIMPIEZA

Después de la operación, retire el tapón de drenado desde la parte inferior del tanque y drene la pasta sobrante.

El rodillo de empastado se retira al levantar al mismo tiempo ambos lados del rodillo.

El rodillo de aplicación se levanta del lado derecho primero para liberarlo del resorte y luego se extrae del orificio en el cojinete del lado izquierdo.

Lave ambos rodillos en un balde. Séquelos y colóquelos en una tela absorbente para prevenir daños.

El cuerpo principal (tanque) deberá lavarse bien, separado del rodillo de empastado. Otras piezas también deben limpiarse.

Limpie la máquina y séquela.

La vida de servicio de la máquina depende del lavado completo.

Fig. 8

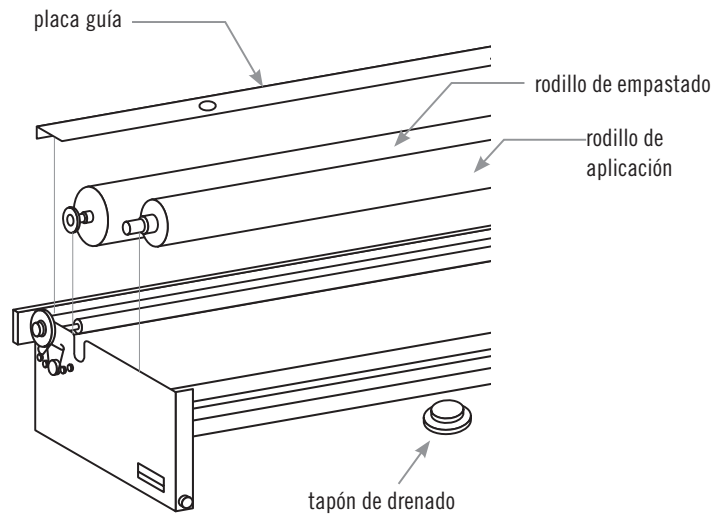
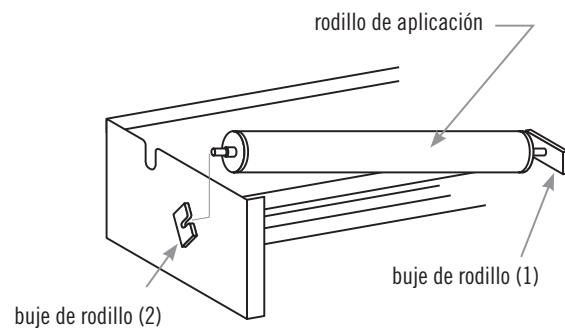


Fig. 9



ALMACENAMIENTO Y TRANSPORTE

Retire la barra de soporte del material de la máquina.

Si se usa una mesa para libros, retire las tablas y los dos soportes de los lados del soporte rodante.

Limpie el tanque de pasta y los rodillos como se indicó anteriormente.

Cierre la cubierta y asegure con los dos pestillos.

Las patas pueden plegarse con o sin el conjunto de ruedas colocados.

Si desea retirarlas, primero aflójelas de los tornillos de bloqueo. De lo contrario, asegúrese de que los cuatro tornillos estén apretados.

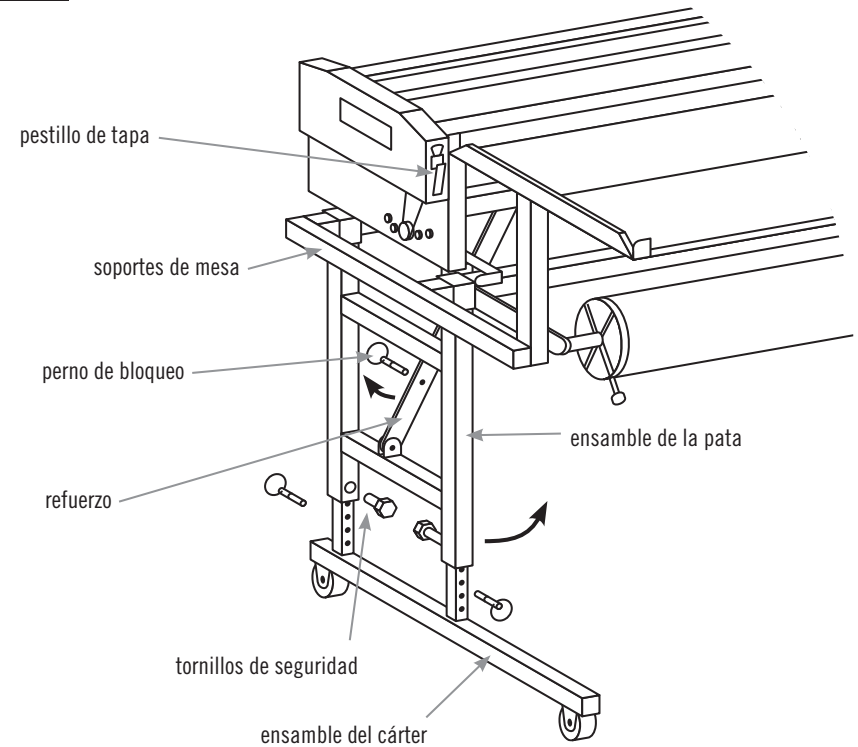
Extraiga el pasador de seguridad del refuerzo de la pata en un extremo.

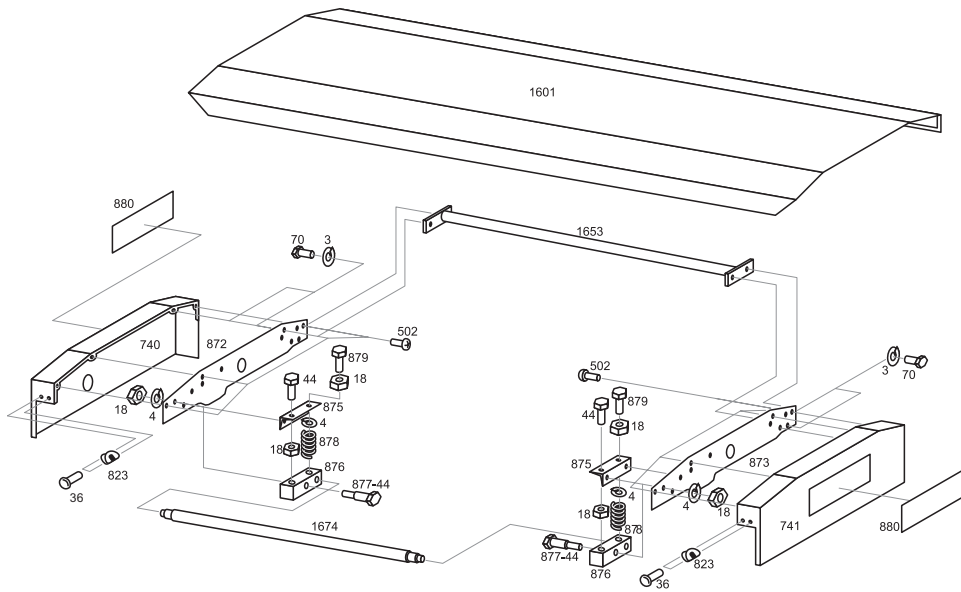
Levante la máquina en este extremo y pliegue contra la parte inferior del tanque. ¡Repita lo mismo en el otro extremo.

Coloque la cubierta de acero inoxidable en la máquina y ate cuerdas elásticas alrededor del tanque y cubra para mantenerlos en su lugar.

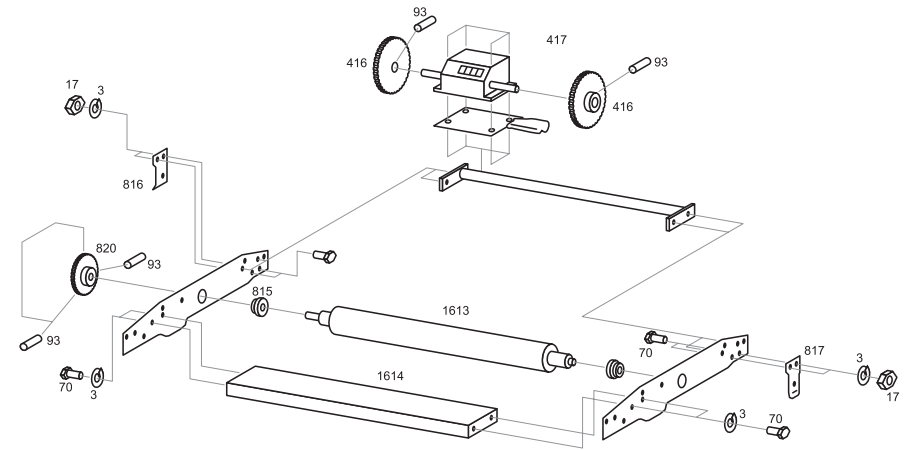
La máquina puede ahora almacenarse o transportarse.

Fig. 10



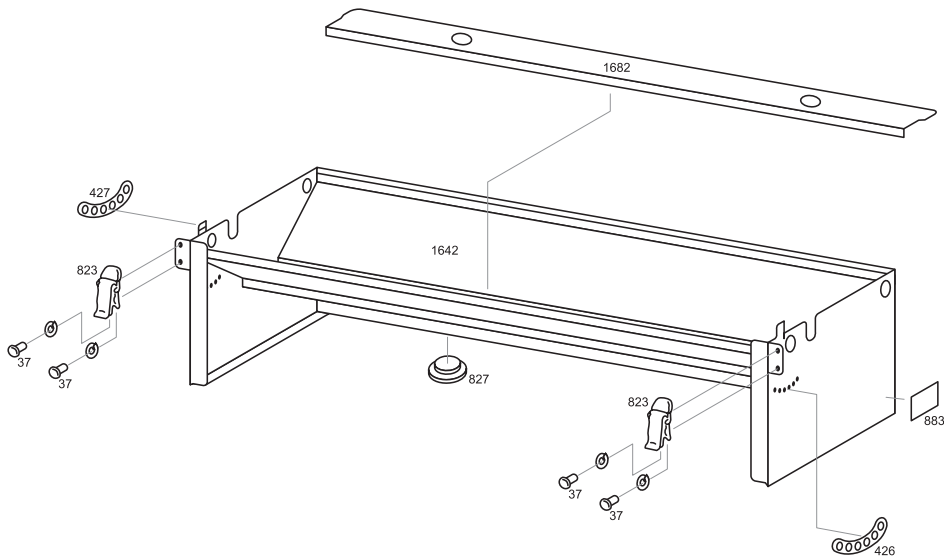


No de pieza	Description	Qty.*
3	Arandela de resorte (M5)	14
4	Arandela de resorte (M6)	2
18	Tuerca hexagonal (M6)	6
36	Tornillo de cabeza redonda	4
44	Perno	2
70	Perno hexagonal (M5x210)	12
502	Tornillo de cabeza redonda (4x8)	12
740	Cubierta del lado izquierdo	1
741	Cubierta del lado derecho	1
823	Juego de liberación rápida	2
872	Placa lateral con soporte	1
873	Placa lateral con soporte	1
875	Soporte = 872 a 873	2
876	Barra de giro	2
877	Pasador 877-44	2
878	Resorte	2
879	Perno	2
880	Etiqueta	2
1601	Cubierta superior	1
1653	Eje guía	1
1674	Rodillo de tensión	1



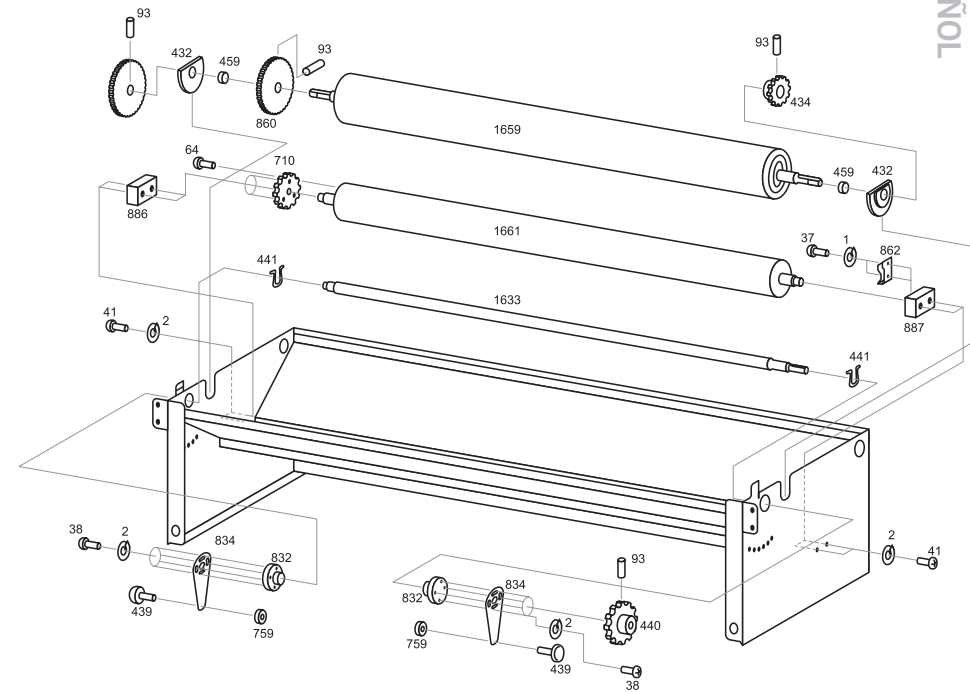
No de pieza	Description	Qty.*
3	Arandela de resorte (M5)	14
17	Tuerca hexagonal (M5)	6
40	Tornillo de cabeza redonda (M4x10)	4
70	Perno de cabeza hexagonal	12
93	Tornillo de cabeza de casquillo hexagonal (M5x10)	9
416	Rueda contadora	2
417	Contador de medición con soporte	1
774	Base del contador	1
815	Buje 2	1
816	Tope - I	1
817	Tope - D	1
818	Arandela	2
820	Engranaje dentado (28T)	1
1613	Rodillo de alimentación inverso	1
1614	Base de corte	1

B562-HD



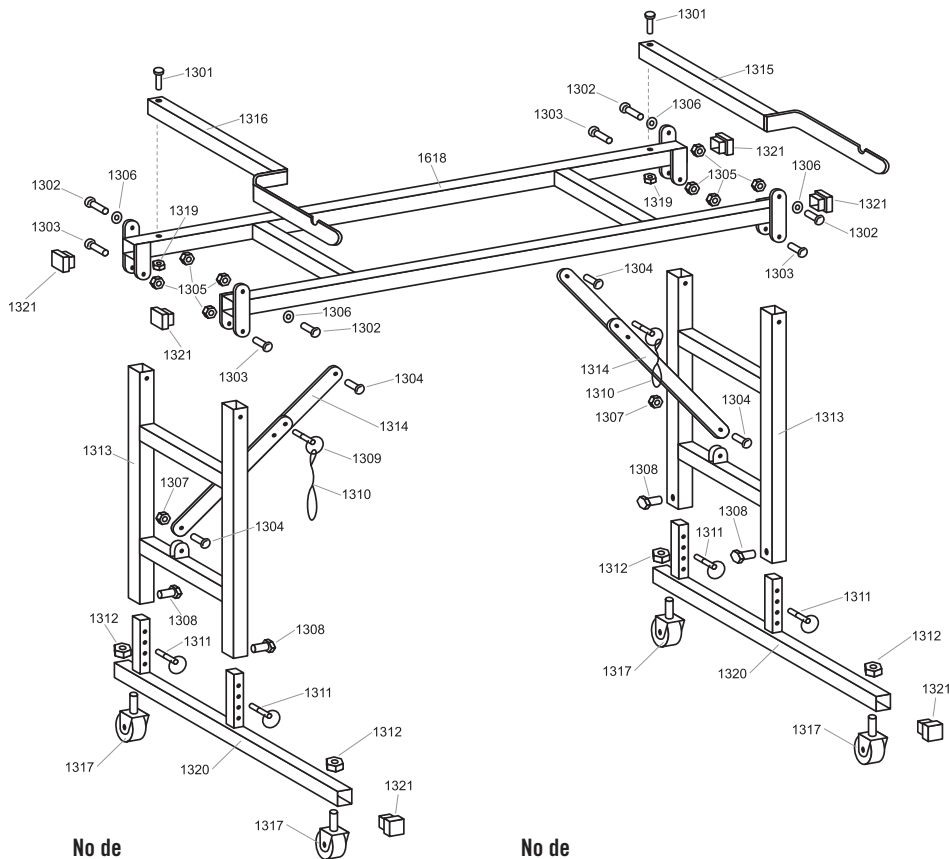
No de pieza	Description	Qty.*
1	Arandela de resorte (M3)	4
37	Tornillo de cabeza redonda	2
426	Etiqueta (Cerrar-Abrir)	1
427	Etiqueta (Abrir-Cerrar)	1
823	Juego de liberación rápida	2
827	Tapón de drenado	1
883	Etiqueta	1
1642	Cuerpo principal	1
1682	Placa guía	1

B562-HD



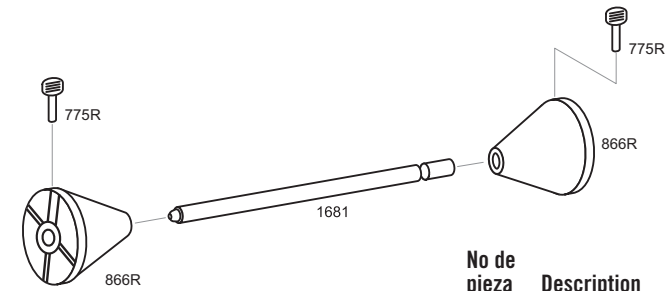
No de pieza	Description	Qty.*	No de pieza	Description	Qty.*
1	Arandela de resorte (M3)	2	832	Buje	2
2	Arandela de resorte (M4)	2	834	Palanca de ajuste	2
37	Tornillo de cabeza redonda	2	860	Engranaje dentado (40T)	1
38	Tornillo de cabeza redonda (M4)	8	862	Resorte	1
41	Tornillo de cabeza redonda (M4x15)	4	886	Buje del rodillo	1
64	Tornillo de cabeza plana (M4x15)	3	887	Buje del rodillo	1
93	Tornillo de ajuste	8	1633	Rodillo ajustable	1
432	Buje 432-459	2	1659	Rodillo de empastado	1
433	Engranaje dentado (44T)	1	1661	Rodillo de aplicación	1
434	Engranaje dentado (21T)	1			
440	Engranaje dentado (34T)	1			
441	Anillo de inserción rápida	4			
710	Engranaje dentado (33T)	1			
759	Tuerca de seguridad de nailon	2			
439	Tornillo de ajuste de cobre	2			

PIEZAS DEL SOPORTE RODANTE B562-HD



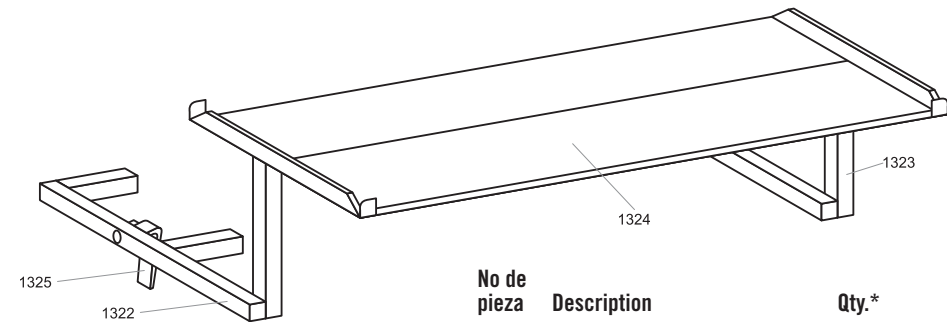
No de pieza	Description	Qty.*	No de pieza	Description	Qty.*
1301	Tornillo maquinado de 1/4-20 x 2 1/4 pulg.	2	1314	Refuerzo de soporte rodante	2
1302	Tornillo maquinado de 1/4-20 x 3/4 pulg.	4	1315	Soporte de apoyo del eje de material L.D.	1
1303	Tornillo maquinado de 1/4-20 x 11/2 pulg.	4	1316	Soporte de apoyo de eje de material L.I.	1
1304	Tornillo maquinado de 1/4-20 x 3/4 pulg.	4	1317	Rueda con freno de 4 pulg.	4
1305	Tuerca de 1/4-2	6	1618	Conjunto principal del soporte rodante	1
1306	Arandela plana de 1/4 pulg.	4	1319	Tuerca Nylok de 1/4-20	4
1307	Tuerca Nylok de 1/4-20 pulg.	4	1320	Conjunto de las ruedas	2
1308	Tornillo de seguridad de 1/4-20 - 3 alas	4	1321	Tapones plásticos del extremo	8
1309	Perno de bloqueo de 1 pulg.	2	1322	Soporte de mesa para libros L.I. (Opcional)	1
1310	Cuerda de seguridad de nailon	2	1323	Soporte de mesa para libros L.D. (Opcional)	1
1311	Pasador de bloqueo de 1 1/2 pulg.	4	1624	Tabla de mesa para libros de lino americano (Opcional)	2
1312	Tuerca de 1/2-13 (rueda)	4			
1313	Conjunto de pata plegable	2			

EJE DEL MATERIAL B562-HD



No de pieza	Description	Qty.*
1681	Eje del material	1
866R	Conos	2
775R	Tornillo de mariposa	2

MESA PARA LIBROS B562-HD



No de pieza	Description	Qty.*
1322	Soporte (L.I.)	1
1323	Soporte (L.D.)	1
1624	Tabla de lino americano	2
1325	Soporte de seguridad	2
1303	Tornillo maquinado 1/4-20 de 1 1/2 pulg.	2
1305	Tuerca 1/4-20 pulg. (por dirección)	2

HERRAMIENTAS

LLAVE HEXAGONAL 2,5 mm
LÁMINA CALIBRADORA 002 a 0,02

OPCIONES IMPORTANTES PARA LA MÁQUINA PEGADORA PASTEMATE B562HD

CARACTERÍSTICAS DE LA MESA PARA LIBROS:

Fijación fácil y segura al soporte rodante

La mesa se mueve junto con la máquina pegadora en el lugar de trabajo

CATÁLOGO No. 562BT 26 lbs.



CARACTERÍSTICAS DE LA REPISA DE TRANSPORTE:

Transporta adhesivos y herramientas al lugar de trabajo

Estabiliza el soporte rodante

Fuerte, pero liviana

Se coloca directamente en su lugar

Hecha de acero galvanizado resistente

También disponible para la máquina de 56 pulg.

CATÁLOGO No. 562TS 14 lbs.

CAJA PARA ALMACENAMIENTO OPCIONAL

CATÁLOGO No. 51628 61 lbs.



ADVANCE-EQUIPMENT.COM

ADVANCE

B562HD

COLLEUSE MANUELLE SUR SUPPORT À ROULETTES



Modèle B562HD présenté avec table de reliure en option, No de catalogue 562BT Étagère de transport, No de catalogue 562TS

No de catalogue 50621 Manuel d'utilisation et de pièces

Advance Equipment Mfg. Co. Inc.
4615 W Chicago Avenue, Chicago, IL 60651
773.287.8220 • 800.621.4516



AVANTAGES DE LA COLLEUSE « PASTEMATE » D'ADVANCE

- Introduite en 1981. Des milliers d'exemplaires sont en service et cet appareil est reconnu pour sa fiabilité et sa performance.
- Les opérations de montage et de nettoyage s'effectuent plus rapidement que pour toute autre colleuse, ce qui se traduit par une production plus élevée.
- Un plein du réservoir permet de coller plus de tapisserie que tout autre appareil.
- Le système exclusif de contrôle du collage permet de coller tout genre de matériau, comme le vinyle, les cordes, le suède, la toile de jute et la toile de ramie sans tacher le recto.
- Cinq rouleaux sont reliés ensemble au moyen d'engrenages afin de faciliter l'application de la colle.
- Garantie à vie sur le réservoir de colle en acier inoxydable et de cinq ans sur les engrenages d'entraînement.
- Fabriqué dans nos locaux au moyen d'un équipement informatisé afin d'accroître la qualité et prolonger la durée de vie.
- Pièces de rechange expédiées en moins de 24 heures.
- Une consultation gratuite avec des techniciens d'expérience avant l'achat vous assurera d'acheter le produit qui répond idéalement à vos besoins.
- Satisfaction garantie à 100 % !

Observez les instructions présentées dans ce manuel pour utiliser la COLLEUSE B562-HD sur SUPPORT À ROULETTES.

LISEZ CE DOCUMENT DU DÉBUT À LA FIN AVANT DE DÉBUTER.

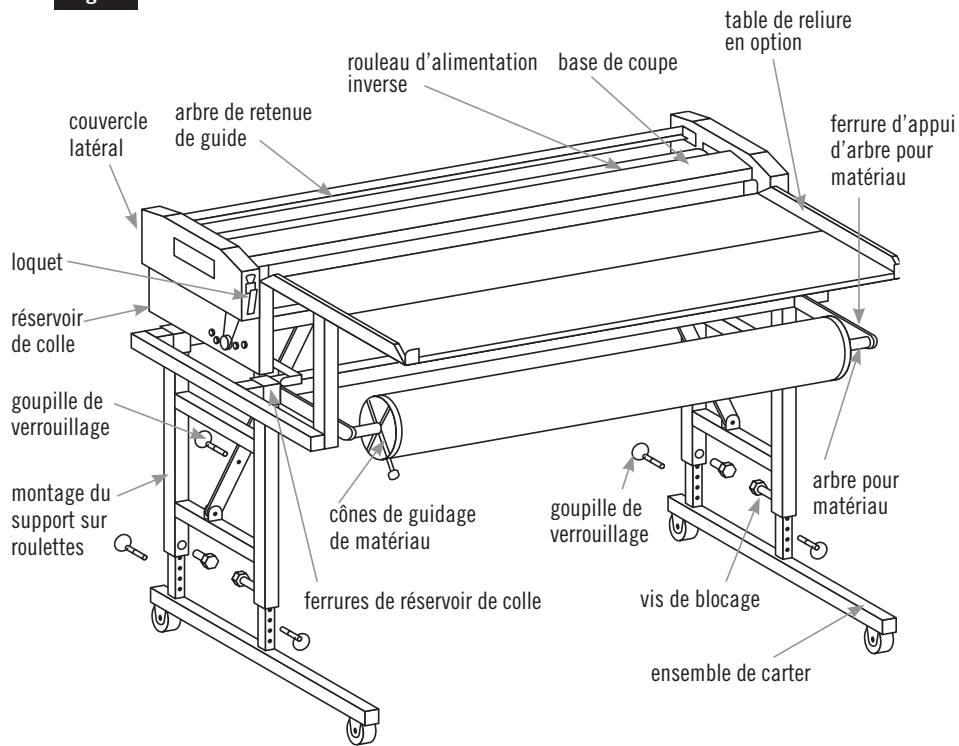
TABLE DES MATIÈRES

Assemblage général.....	2
Instructions générales	3
Adhésifs	4
Table de reliure.....	5
Ouverture des couvercles latéraux	6
Opérations de collage	6 – 7
Réglage des rouleaux de commande de la colle.....	8
Comptoir de mesure.....	9
Nettoyage	10
Remisage et transport.....	11
Garantie	4
Caractéristiques.....	2
Listes des pièces et dessins.....	12-17
Anodisation	4
Options importantes.....	18



ASSEMBLAGE GÉNÉRAL

Fig. 1



CARACTÉRISTIQUES

CATALOGUE No. 50621

MODÈLE B562-HD AVEC SUPPORT SUR ROULETTES

HAUTEUR (support sur roulettes ouvert)

37 3/4 po

HAUTEUR (support sur roulettes replié)

12 1/2 po

LONGUEUR 67 3/4 po

LARGEUR 12 po

POIDS (colleuse)..... 121 lb

POIDS (accessoires) 15 lb

TABLE DE RELIURE EN OPTION

CATALOGUE No. 562BT 26 lb

ÉTUI DE RANGEMENT EN OPTION

CATALOGUE No. 51628 61 lb

ÉTAGÈRE DE TRANSPORT EN OPTION

CATALOGUE No. 562TS 14 lb

INSTRUCTIONS GÉNÉRALES

- 1) Avant de soulever l'appareil de sa caisse, enlevez la trousse d'outils des accessoires, la barre d'appui pour matériau et les deux ensembles de roulettes qui sont emballés près de l'appareil.
- 2) Sortez l'appareil de la caisse en saisissant le support situé sous le réservoir. (l'opération sera plus facile si deux individus y prennent part)
- 3) Placez l'appareil près de la caisse.
- 4) **Ouverture du support sur roulettes :**
 - a) Soulevez une extrémité de l'appareil et ouvrez la patte (No 1313). Placez les pattes sur le plancher. Bloquez le renfort pliant (No 1314) au moyen de la goupille d'acier (No 1309). Soulevez l'autre extrémité et recommencez l'opération.
- 5) **Installation des roulettes :**
 - a) Soulevez l'appareil à une extrémité et glissez l'ensemble de roulette dans les tubes de la patte. Assurez-vous que les roulettes se prolongent vers l'avant de l'appareil (côté verrou de l'appareil). Procédez de la même façon à l'autre extrémité.
 - b) Soulevez l'appareil pour insérer les goupilles d'acier (No 1311) à la hauteur désirée dans l'ensemble de roulette. Verrouillez en position en serrant les vis de blocage à tête de plastique noire (No 1308).
- 6) Enlevez le couvercle d'acier inoxydable.
- 7) Libérez les deux attaches rapides (verrous) sur le couvercle de l'appareil et ouvrez le couvercle. Enlevez le matériau d'emballage des rouleaux dans le réservoir.
- 8) Fermez le couvercle de l'appareil et en plaçant votre main sur le couvercle de caoutchouc, inversez le rouleau d'alimentation, tournez les rouleaux et vérifiez s'ils tournent en douceur et sans grippage.
- 9) Déposez toujours les rouleaux sur une toile de protection lorsque vous les retirez du réservoir. Ne les appuyez pas contre un mur ou une table, puisqu'ils risquent de s'endommager s'ils tombent.
- 10) Nous vous recommandons d'enlever et de nettoyer les rouleaux chaque soir afin d'assurer ainsi une durée de vie prolongée. Il est permis de laisser l'adhésif dans le réservoir pendant la nuit.

ADHÉSIFS

Un plateau à colle profond et un rouleau aspirant permettent d'utiliser la plupart des types de colle dans l'appareil. Le fonctionnement efficace de cet appareil dépend cependant dans une grande mesure de la consistance de la colle. En utilisant cet appareil, vous apprendrez à reconnaître une colle préparée correctement. À titre d'exemple, celle-ci devrait présenter la consistance d'une pâte à crêpes épaisse. Dans la plupart des cas, vous devrez diluer la colle à l'eau et la mélanger parfaitement au moyen d'un malaxeur électrique. Lorsque vous utilisez des adhésifs à base d'argile, collez un nombre maximal de feuilles d'un plateau pour éviter que la colle ne durcisse dans le plateau. Ajoutez ensuite la colle et posez le lot de tapisserie suivant. Vous devrez agiter de nouveau l'adhésif à base d'argile s'il est demeuré inutilisé pendant un certain temps.

Remarque: Les rouleaux de l'appareil sont fabriqués d'alliage d'aluminium, un produit qu'on soumet à une anodisation dure après usinage. Ce processus consiste à recouvrir la surface d'un revêtement dur, ce qui durcit l'aluminium de base sur la même profondeur. L'aluminium résiste ainsi mieux à l'usure que l'acier trempé. Cependant, si l'adhésif est trop acide ou alcalin, il peut en résulter une corrosion par piqûres du rouleau et vous devriez alors utiliser un autre adhésif. Pour protéger vos rouleaux, enlevez-les et nettoyez-les à tous les soirs et utilisez un adhésif dont le pH varie de 5,0 à 8,5.

ANODISATION

Nous protégeons les rouleaux d'aluminium dans nos colleuses en les soumettant à un procédé d'anodisation dure. L'opération se déroule conformément aux spécifications militaires de l'ASTM (American Society of Testing Materials), alors que nous utilisons le procédé de type III, qui produit le revêtement le plus dur. L'aluminium utilisé est de type 6061, qui accepte très bien le procédé d'anodisation. L'anodisation est un procédé électrochimique qui consiste à déposer un revêtement de 0,001 à 0,0015 sur la surface du rouleau et qui pénètre la surface sur la même profondeur. Ce revêtement dur sera impossible à couper au moyen d'une lime, et présentera une dureté Rockwell de 48 à 54 et une résistance à l'usure supérieure à l'acier trempé. Les revêtements anodisés durs ne s'arrachent pas, puisqu'ils font partie intégrante du métal de base. Lorsque l'épaisseur du revêtement augmente, les pores capillaires microscopiques prennent la forme d'un nid d'abeilles qui se scelle de manière automatique, rendant ainsi le rouleau particulièrement résistant à la corrosion et à l'usure. Cependant, il faudrait souligner que les solutions caustiques ou les acides puissants peuvent provoquer l'apparition de piqûres ou la désintégration du revêtement dur. Par conséquent, on recommande que les adhésifs utilisés dans l'appareil présentent un pH presque neutre, soit de l'ordre de 5,0 à 8,5. Il faudrait souligner que la couleur du rouleau dépend de la composition de l'alliage d'aluminium et qu'elle peut varier d'un gris/brun foncé au noir foncé.

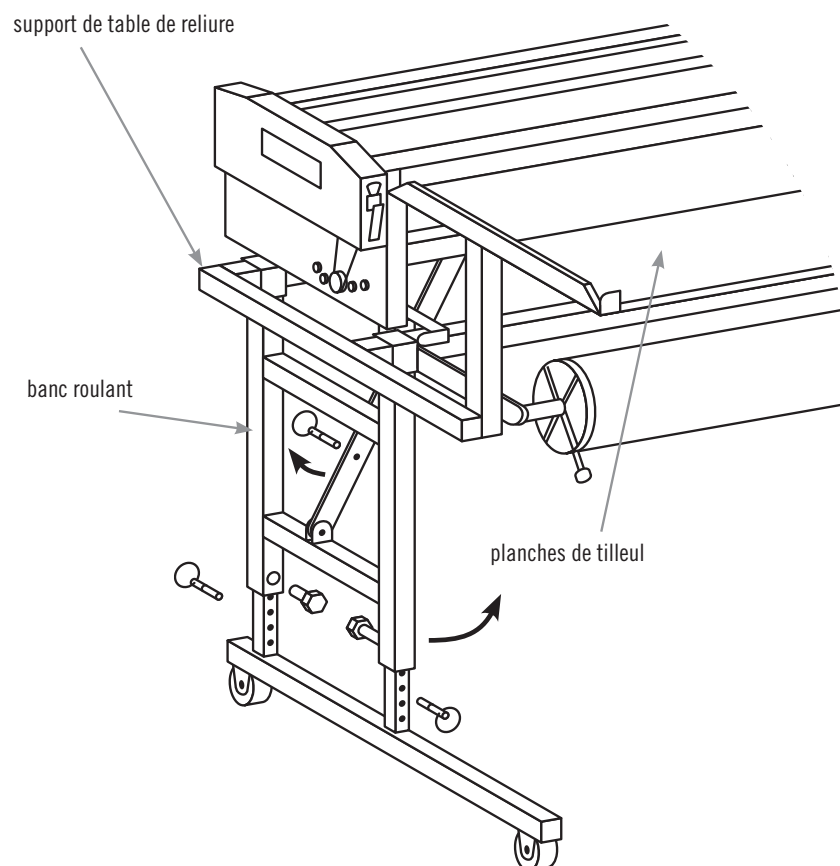
GARANTIE

Les acheteurs des colleuses Paste-Mate bénéficient d'une garantie de 12 mois à compter de la date d'achat couvrant tous les défauts de matériaux et de main-d'œuvre, pourvu qu'on ait installé et qu'on utilise ces appareils conformément aux instructions de l'usine. Les engrenages d'entraînement sont protégés par une garantie de 5 ans couvrant le bris des dents. Le réservoir de colle est garanti à vie. (L'usure normale et les dommages causés par un abus, l'abrasion, la corrosion, un accident, la négligence, une installation déficiente ou une modification sont exclus.) Advance Equipment réparera ou remplacera sans frais (autre que l'expédition par voie terrestre) toutes les pièces défectueuses qu'on aura pris soin de retourner, port payé, à son entrepôt.

OPTION DE TABLE DE RELIURE

1. Enlevez les capuchons d'extrémité des tubes carrés du support sur roulettes et insérez les ferrures d'appui de table de reliure sur les côtés gauche et droit. Verrouillez le tout en position en tournant la ferrure de verrouillage.
2. Les supports de panneau se trouveront sur l'avant de l'appareil, au-dessus de la barre d'appui du matériau.
3. Placez les deux panneaux de tilleul après avoir installé le rouleau de tapisserie sur les supports et l'avoir chargé dans la colleuse.
4. Vous êtes maintenant prêt à utiliser la colleuse.
5. Entretenez vos panneaux de tilleul en les sablant pour ensuite les recouvrir d'un nouveau scellant à tous les ans.

Fig. 2



OUVERTURE DU COUVERCLE LATÉRAL

Vous trouverez un dispositif de déclenchement rapide sur la partie supérieure de chaque couvercle latéral.

Tirez sur chacun de ces dispositifs dans le sens de la flèche et vous pourrez alors ouvrir le couvercle (voir la fig. 3).

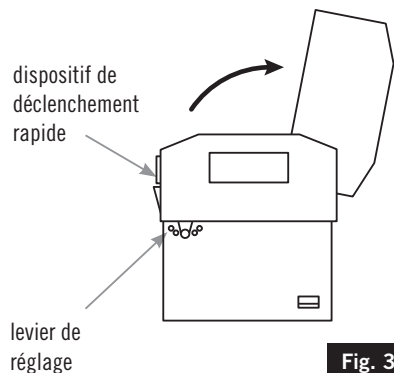


Fig. 3

OPÉRATIONS DE COLLAGE

Sortez les ferrures d'appui du matériau d'en-dessous du réservoir de colle.

Placez l'arbre du matériau au centre du boulon et sur les supports à boulon (voir la fig. 4) après avoir glissé les disques de matériau et bloqué la vis de pression.

Versez la colle dans le réservoir prévu à cet effet. (Voir la page 10.) Ne remplissez pas le réservoir de colle au-delà de la ligne inférieure du rouleau ajustable. Fermez et verrouillez les couvercles latéraux. Tournez le rouleau de caoutchouc d'alimentation inverse afin de distribuer la colle.

Ajustez l'épaisseur de la colle en déplaçant le levier de réglage dans le sens de la flèche (voir la fig. 3). Déplacez ensuite le levier sur les deux extrémités. Vérifiez l'épaisseur de la colle en glissant un doigt

sur le rouleau de colle. Placez les leviers de réglage à la position appropriée à chaque extrémité.

Sortez le matériau et placez-le sur le rouleau de colle tel qu'indiqué à la fig. 5 après avoir ouvert les couvercles latéraux. Fermez et verrouillez les couvercles latéraux. Le matériau sortira par l'avant (le côté enduit de colle sur le dessus) depuis l'arrière du rouleau d'alimentation inverse.

Vous pouvez utiliser sur l'avant de la colleuse deux chevalets retenant une planche d'une largeur de 26 à 28 pouces parallèle à la colleuse afin d'y plier votre matériau. Ou encore, vous pouvez placer deux tables étroites perpendiculaires à la colleuse et vous déplacer entre ces tables.

Vous pouvez également effectuer le pliage directement contre la colleuse sans utiliser de table ou vous pouvez utiliser notre table de reliure vendue en option. (Voir la page 5.)

(SUITE SUR LA PAGE SUIVANTE)

Fig. 4

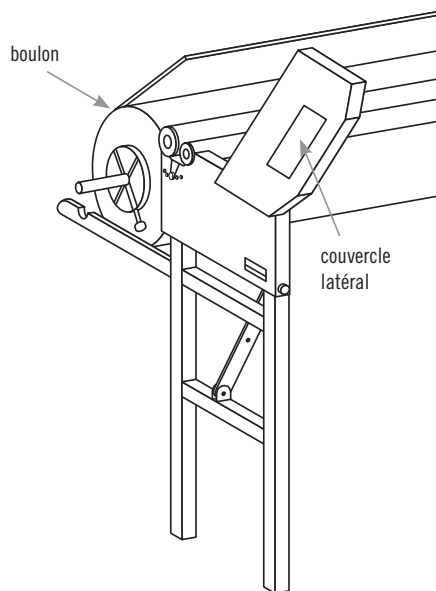
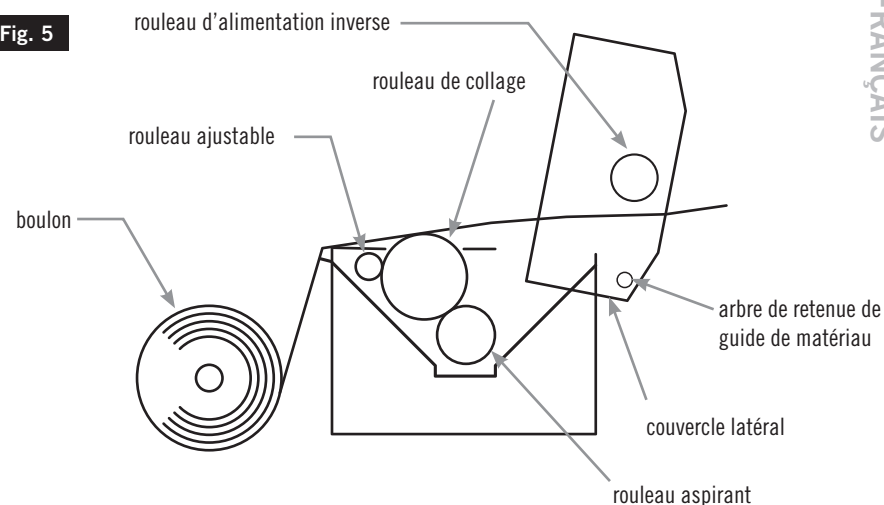


Fig. 5



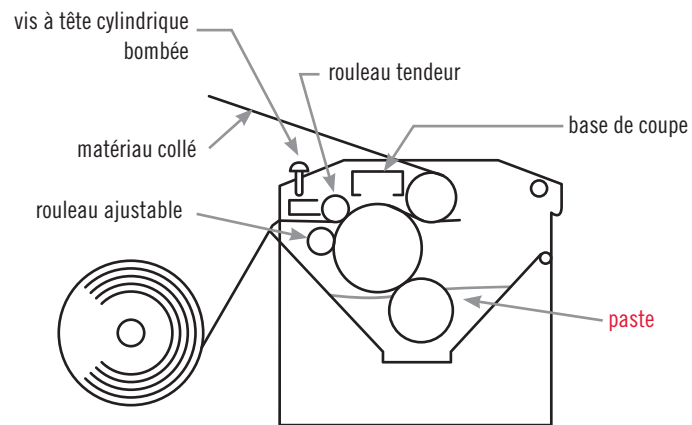
Une modification de l'ajustement entre le rouleau tendeur et le rouleau de collage n'est habituellement pas nécessaire pour bien coller le matériau. Cependant, si la surface du matériau est extrêmement mince et si le collage est déficient, desserrez la vis à tête cylindrique bombée (1) au moyen d'un tournevis tel qu'indiqué à la fig. 6. La vis étant desserrée, le rouleau tendeur s'approche du rouleau de collage, ce qui augmente la pression au niveau du matériau. Desserrez uniquement la vis qui se trouve le plus près de vous.

Vous êtes maintenant prêt à utiliser la colleuse.

Tenez les deux côtés du matériau avec les deux mains et tirez dans le sens de la flèche (fig. 6). Continuez de tirer à une vitesse constante pour assurer un collage uniforme.

Le jeu entre le rouleau aspirant et le rouleau de collage devrait être d'environ 0,022 à 0,025 po. S'il y a lieu, ajustez-le en soulevant ou en abaissant les coussinets des supports du rouleau aspirant à l'intérieur du réservoir.

Fig. 6

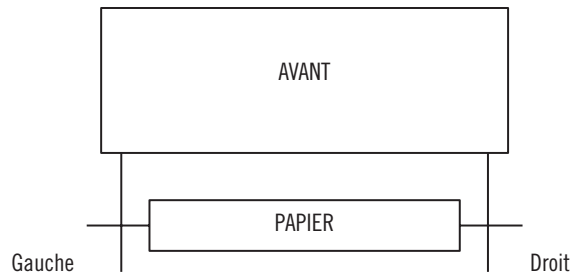


INSTALLATION ET RÉGLAGE DU ROULEAU DE COMMANDE DE COLLAGE

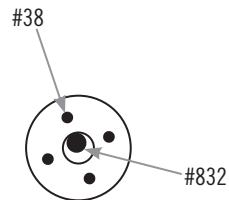
Insérez les extrémités du rouleau de commande de collage dans le réservoir de colle et verrouillez les coussinets (No 832) en place au moyen de la bague de retenue (No 441).

Réglez le jeu du rouleau en procédant comme suit :

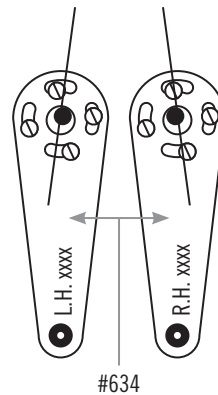
1. En vous plaçant face au côté du réservoir, tenez le coussinet avec les doigts et tournez-le de façon à ce que l'arbre soit placé vers le haut en direction du rouleau de collage (No 859).
2. Tournez ensuite le coussinet dans la direction opposée et, au moyen d'un calibre d'épaisseur, réglez le jeu entre 0,002 et 0,004 po. Procédez à cet ajustement à chaque extrémité du rouleau de réglage.
3. Placez le levier de réglage (No 834) contre le coussinet (No 832) avec le trou de goupille et vérifiez si les fentes dans le levier coïncident avec les trous de vis dans le coussinet. Vous pourriez devoir tourner le coussinet légèrement. Si c'est le cas, déplacez le coussinet du côté opposé dans la même position.
4. Fixez les leviers fendus aux coussinets à chaque extrémité au moyen de quatre rondelles-frein (No 2) et de quatre vis (No 38).
5. Vérifiez de nouveau le jeu aux extrémités du rouleau alors que le levier est placé dans le trou de goupille No 1 (position fermée).



Vues de gauche et de droite alors qu'on est placé face à la machine et qu'on regarde au-dessus des barres.



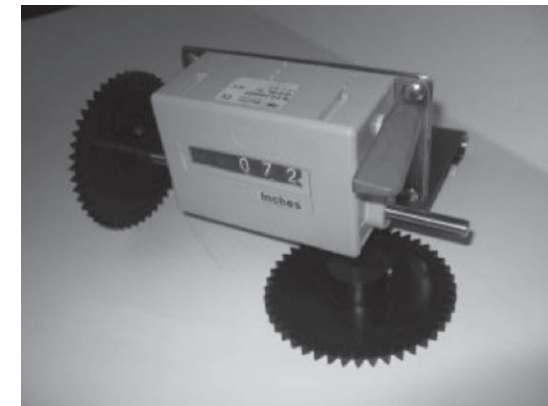
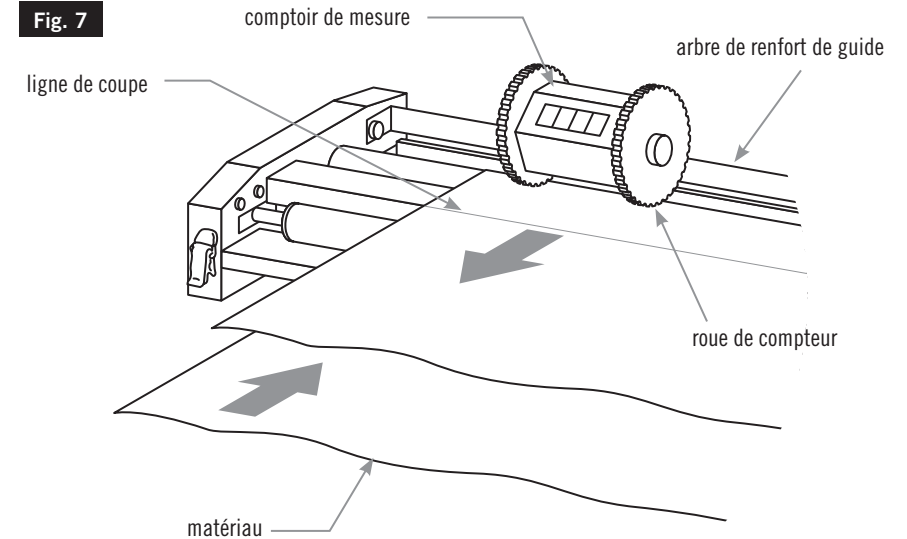
L'orifice central est décalé par rapport au centre de la douille.



L'orifice excentrique de la douille devrait être placé sur le dessus et vers l'avant afin de coller le rouleau en position fermée.

FONCTIONNEMENT DU COMPTOIR DE MESURE

La base du comptoir est fixée à l'arbre de retenue du guide, alors que le comptoir en tant que tel est placé sur le matériau collé qui est inversé au moyen du rouleau d'alimentation inverse. Tirez sur le matériau collé jusqu'à la ligne de coupe (fig. 7) et soulevez le levier de remise à l'état initial rouge du comptoir de mesure pour voir apparaître l'inscription « 0000 ». Sortez ensuite le matériau pour le coller tout en observant les chiffres sur le comptoir. Vous pouvez ainsi connaître la longueur du matériau collé en « pouces ».



ROUE DE COMPTEUR No. 51114

NETTOYAGE

Après avoir terminé l'utilisation, sortez le capuchon de vidange du bas du réservoir et évacuez ce qu'il reste de colle.

Pour sortir le rouleau de collage, soulevez simultanément les deux extrémités.

Le rouleau aspirant doit être soulevé par l'extrémité de droite en premier lieu afin de le libérer du ressort à lames.

Sortez-le ensuite de l'orifice dans le roulement de gauche. Lavez les deux rouleaux dans un seau.

Séchez les rouleaux et déposez-les sur une toile de protection pour ne pas les endommager.

Lavez parfaitement le corps principal (réservoir), et ce, séparément du rouleau de collage.

Nettoyez également les autres pièces.

Essuyez la colleuse afin qu'elle soit propre et sèche.

La durée de vie de votre appareil dépend de l'efficacité de son nettoyage.

Fig. 8

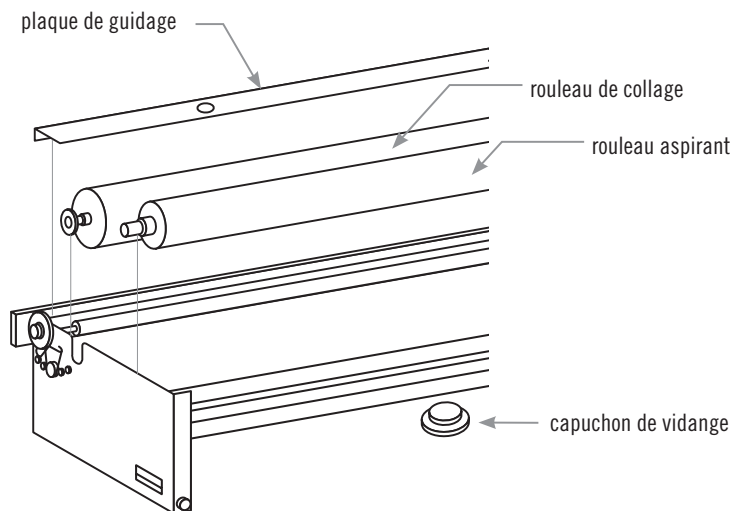
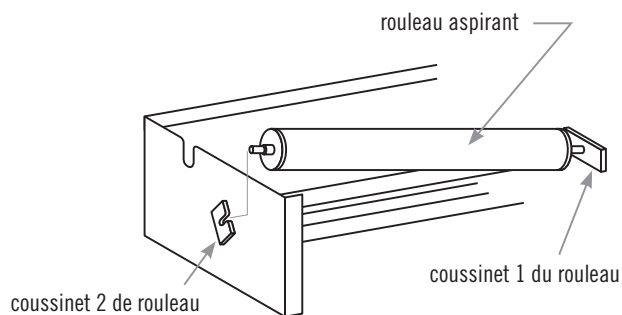


Fig. 9



STOCKAGE ET TRANSPORT

Enlevez la barre d'appui du matériau de la colleuse.

Si vous utilisez la table de reliure, enlevez les planches et les deux ferrures dans les côtés du support sur roulettes.

Nettoyez le réservoir de colle et les rouleaux de la façon décrite précédemment.

Fermez le couvercle et verrouillez les deux loquets.

Vous pouvez également plier les pattes avec ou sans les roulettes.

Si vous désirez les enlever, desserrez-les au niveau des vis de blocage en premier lieu. Sinon, assurez-vous que les quatre vis sont serrées.

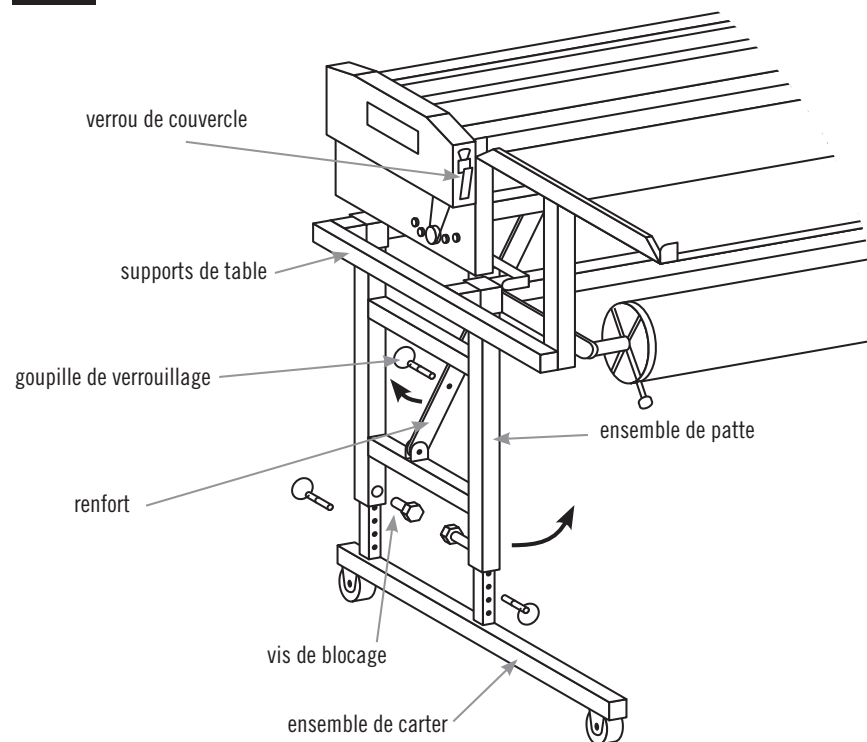
Sortez la goupille de verrouillage du renfort de patte à une extrémité.

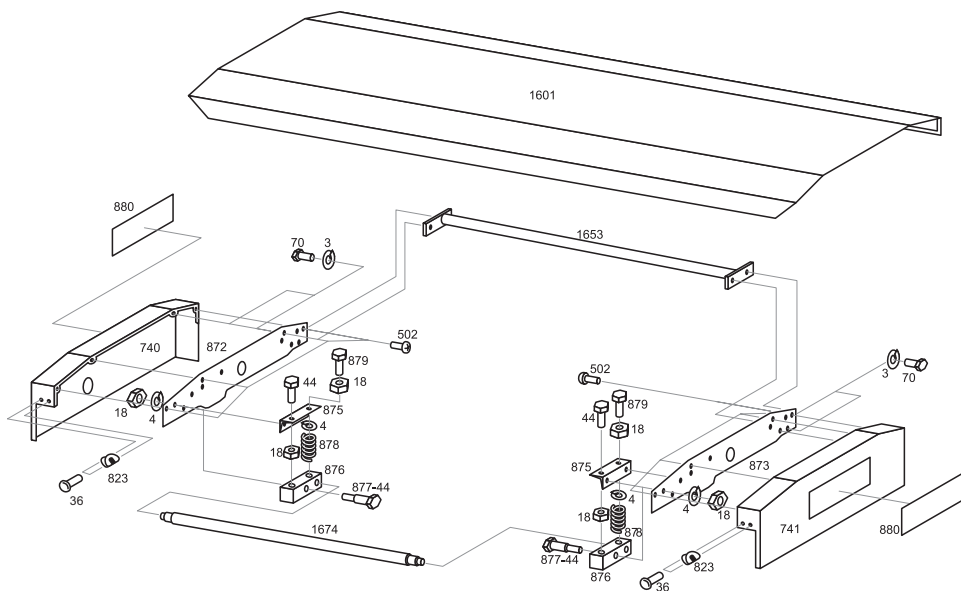
Soulevez la colleuse à cette extrémité et pliez-la contre la partie inférieure du réservoir. Procédez de la même façon à l'autre extrémité.

Placez le couvercle d'acier inoxydable sur la colleuse et enroulez les cordons élastiques autour du réservoir et du couvercle pour le retenir en place.

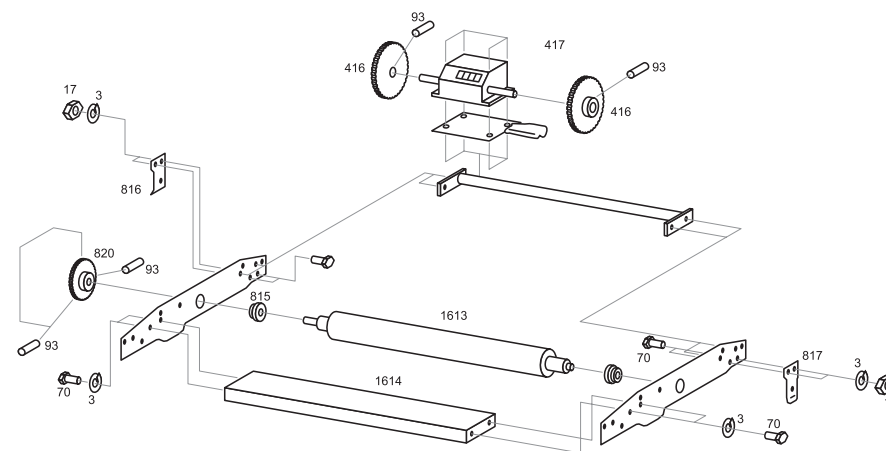
Vous êtes maintenant prêt à remiser ou à transporter la colleuse.

Fig. 10



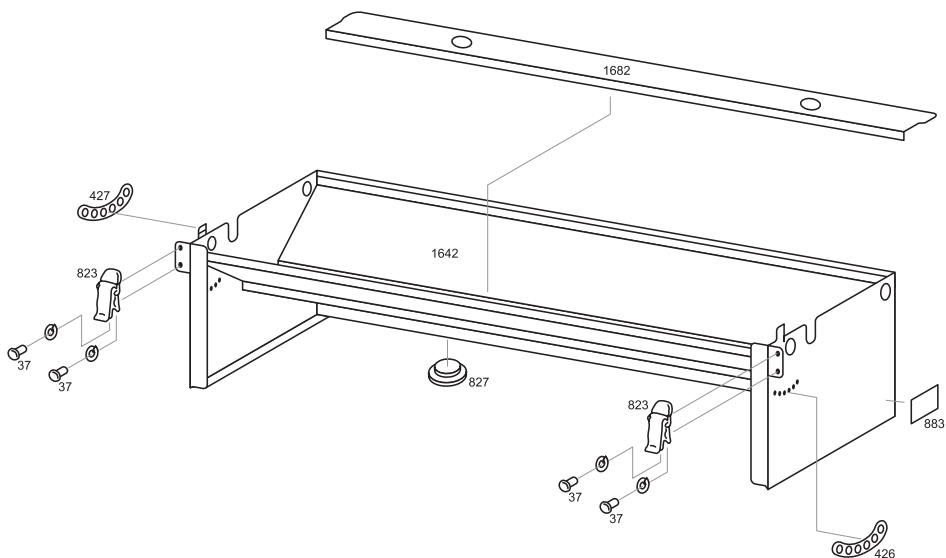


No de pièce	Description	Qté*
3	Rondelle à ressort (M5)	14
4	Rondelle à ressort (M6)	2
18	Écrou hexagonal (M6)	6
36	Vis à tête cylindrique bombée	4
44	Boulon	2
70	Boulon hexagonal (M5x210)	12
502	Vis à tête cylindrique bombée (4x8)	12
740	Couvercle de gauche	1
741	Couvercle de droite	1
823	Ensemble de déclenchement rapide	2
872	Plaque latérale avec ferrure	1
873	Plaque latérale avec ferrure	1
875	Ferrure = 872 -873	2
876	Barre oscillante	2
877	Goupille 877-44	2
878	Ressort	2
879	Boulon	2
880	Étiquette	2
1601	Couvercle supérieur	1
1653	Arbre de retenue de guide	1
1674	Rouleau tendeur	1



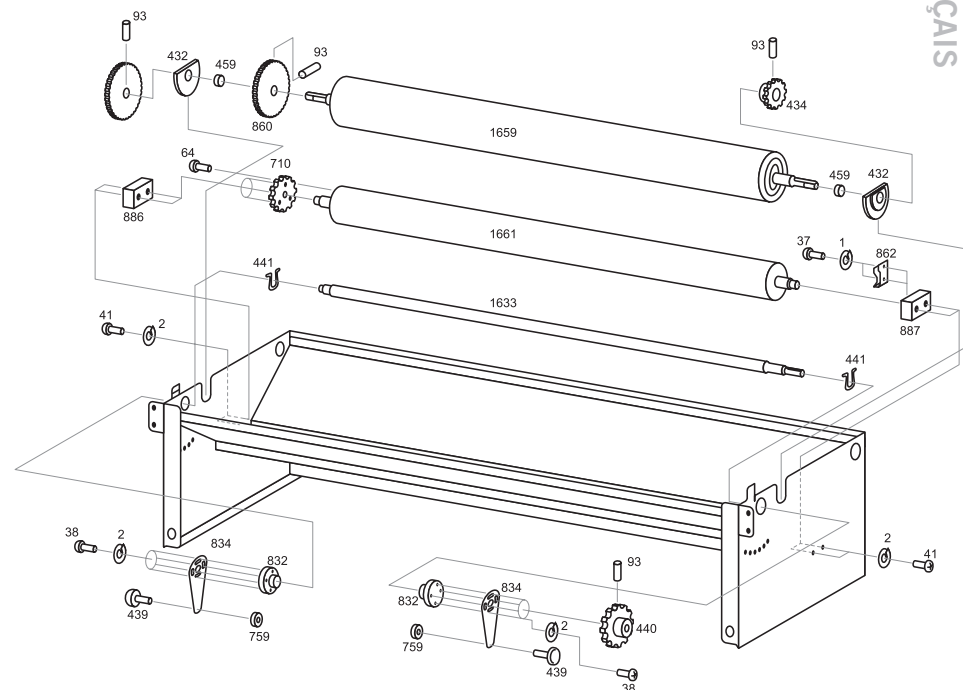
No de pièce	Description	Qté*
3	Rondelle à ressort (M5)	14
17	Écrou hexagonal (M5)	6
40	Vis à tête cylindrique bombée (M4x10)	4
70	Boulon à tête hexagonale	12
93	Vis à tête creuse hexagonale (M5x10)	9
416	Roue de comptoir	2
417	Comptoir de mesure avec ferrure	1
774	Base de comptoir	1
815	Coussinet	2
816	Butée de gauche	1
817	Butée de droite	1
818	Rondelle	2
820	Engrenage droit (28 dents)	1
1613	Rouleau d'alimentation inverse	1
1614	Base de coupe	1

B562-HD



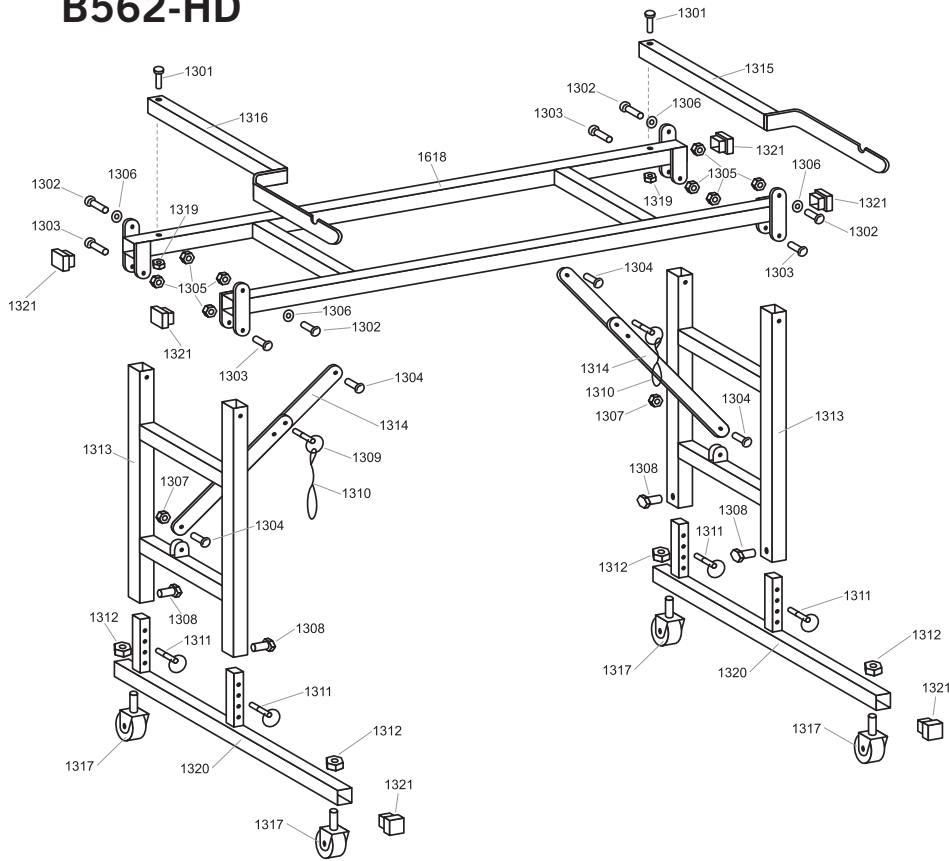
No de pièce	Description	Qté*
1	Rondelle à ressort (M3)	4
37	Vis à tête cylindrique bombée	2
426	Étiquette (Fermé-Ouvert)	1
427	Étiquette (Ouvert-Fermé)	1
823	Ensemble de déclenchement rapide	2
827	Bouchon de vidange	1
883	Étiquette	1
1642	Corps principal	1
1682	Plaque de guidage	1

B562-HD



No de pièce	Description	Qté*	No de pièce	Description	Qté*
1	Rondelle à ressort (M3)	2	886	Coussinet de rouleur	1
2	Rondelle à ressort (M4)	2	887	Coussinet de rouleur	1
37	Vis à tête cylindrique bombée	2	1633	Rouleau ajustable	1
38	Vis à tête cylindrique bombée (M4)	8	1659	Rouleau de collage	1
41	Vis à tête cylindrique bombée (M4x15)	4	1661	Rouleau aspirant	1
64	Vis à tête plate (M4x 15)	3			
93	Vis de pression	8			
432	Coussinet 432-459	2			
433	Engrenage à denture (44 dents)	1			
434	Engrenage à denture (21 dents)	1			
440	Engrenage à denture (34 dents)	1			
441	Jonc d'arrêt	4			
710	Engrenage à denture (33 dents)	1			
759	Écrou de blocage de nylon	2			
439	Vis de pression en laiton	2			
832	Coussinet	2			
834	Levier de réglage	2			
860	Engrenage à denture (40 dents)	1			
862	Ressort à lames	1			

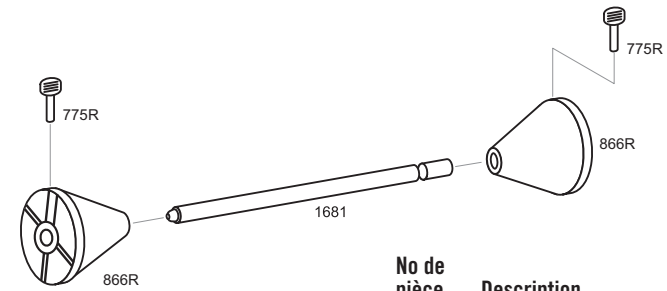
PIÈCES DU SUPPORT SUR ROULETTES B562-HD



No de pièce	Description	Qté*
1301	Vis mécanique 1/4-20 X 2 1/4"	2
1302	Vis mécanique 1/4-20 X 3/4 po	4
1303	Vis mécanique 1/4-20 X 11/2"	4
1304	Vis mécanique 1/4-20 X 3/4 po	4
1305	Écrou 1/4-20	6
1306	Rondelle plate 1/4 po	4
1307	Écrou Nylok 1/4-20	4
1308	Rondelle-frein 1/4-20 – 3 oreilles	4
1309	Goupille de verrouillage 1 po	2
1310	Cordon de nylon	2
1311	Goupille de verrouillage 1-1/2 po	4
1312	Écrou 1/2-13 (roulette)	4
1313	Patte pliable	2
1314	Renfort de support sur roulettes	2
1315	Ferrure d'appui de droite d'arbre pour matériau	1

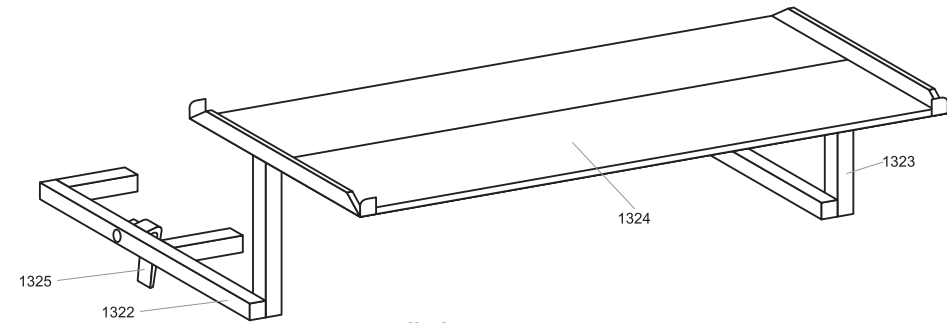
No de pièce	Description	Qté*
1316	Ferrure d'appui de gauche d'arbre pour matériau	1
1317	Roulette de 4 po avec frein	4
1618	Ensemble principal de support sur roulettes	1
1319	Écrou Nylok 1/4-20	4
1320	Ensemble de roulette	2
1321	Capuchons d'extrémité en plastique	8
1322	Ferrure de gauche de table de reliure (en option)	1
1323	Ferrure de droite de table de reliure (en option)	1
1624	Panneau de table de reliure en tilleul (en option)	2

ARBRE POUR MATÉRIAU



No de pièce	Description	Qté*
1681	Arbre pour matériau	1
866R	Cônes	2
775R	Vis à oreilles	2

TABLE DE RELIURE



No de pièce	Description	Qté*
1322	Ferrure (gauche)	1
1323	Ferrure (droite)	1
1624	Panneau de tilleul	2
1325	Ferrure de verrouillage	2
1303	Vis mécanique 1/4-20 de 1 1/2 po	2
1305	Écrou 1/4-20	2

OUTILS

CLÉ HEX.2,5 MM.
Calibre d'épaisseur002-0,02

OPTIONS IMPORTANTES POUR LA COLLEUSE PASTEMATE B562HD

CARACTÉRISTIQUES DE LA TABLE DE RELIURE :

Fixation facile au support sur roulettes

La table se déplace en même temps que la colleuse sur le lieu de travail

CATALOGUE No. 562BT 26 lb

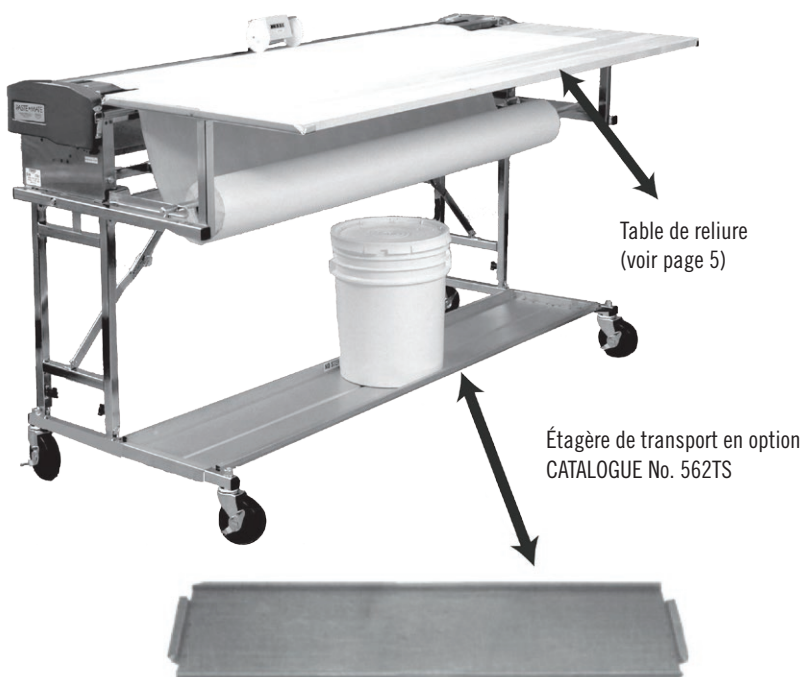


Table de reliure
(voir page 5)

Étagère de transport en option
CATALOGUE No. 562TS

CARACTÉRISTIQUES DE L'ÉTAGÈRE DE TRANSPORT:

Permet de transporter les adhésifs et les outils
sur le lieu de travail

Stabilise le support sur roulettes

Résistante et légère

S'installe directement en place

Fabriquée d'acier galvanisé robuste

Également disponible pour la colleuse de 56 po

CATALOGUE No. 562TS 14 lb

ÉTUI DE RANGEMENT EN OPTION

CATALOGUE No. 51628 61 lb

